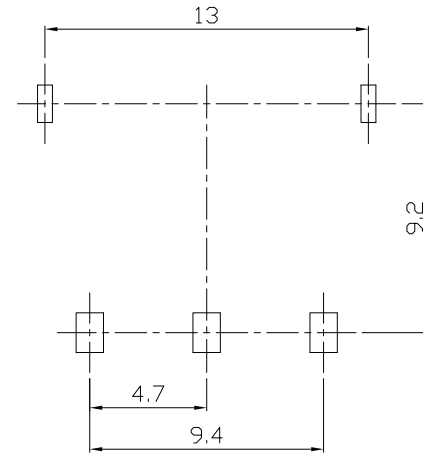
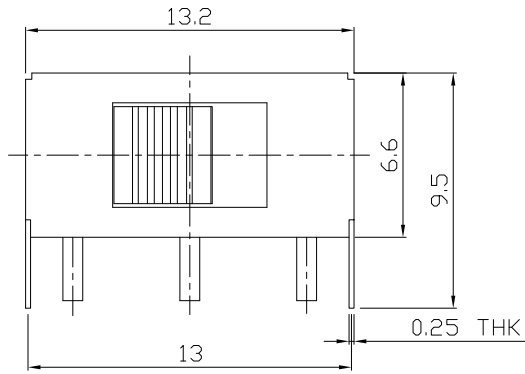




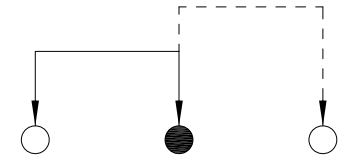
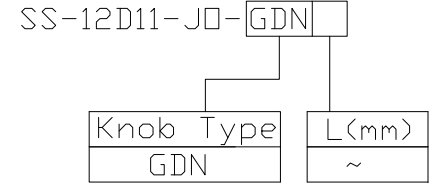
RoHS Compliant  
2002/95/EC

REV.	ECN. NO.	APPD.

DIMENSIONS



MODEL CODE

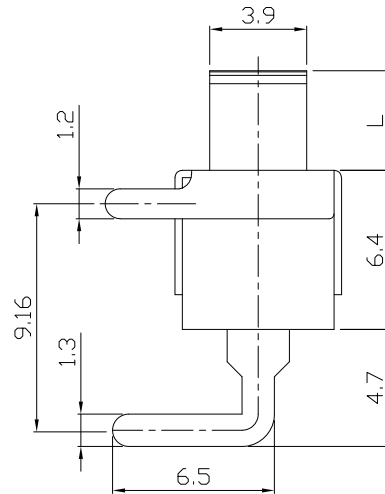
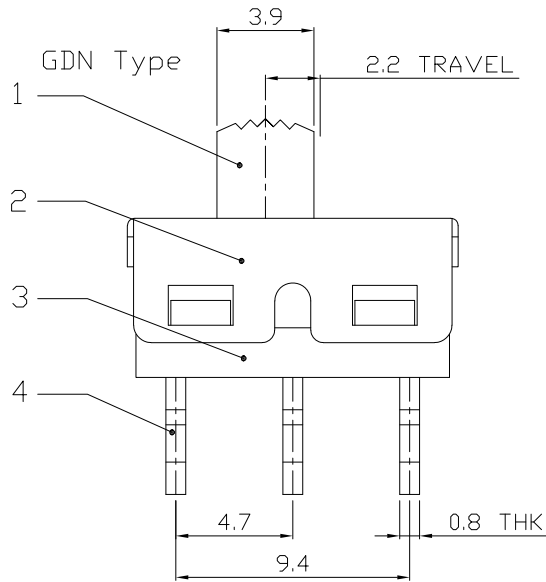


P.C.B LAYOUT  
BOTTOM VIEW

CIRCUIT DIAGRAM

ELECTRO-MECHANICAL CHARACTERISTICS  
Refer to additional specifications

RATING	2A 125V AC
CIRCUIT	1P2T
CONTACT RESISTANCE	30mΩ MAX.
TIMING	NON-SHORTING
TRAVEL	2.2mm
OPERATING FORCE	300±150gf
OPERATING LIFE(cycles)	10,000



NO.	PARTS	MATERIAL	Q'TY	FINISHING
8				
7	STEEL BALL	STEEL	1	NATURAL
6	SPRING	STEEL WIRE	1	NATURAL
5	CONTACT	COPPER STRIP	1	Ag PLATED OVER Ni PLATED
4	TERMINAL	COPPER STRIP	3	Ag PLATED OVER Ni PLATED
3	CASE	NYLON+F.G+94V0	1	BLACK
2	COVER	SUS	1	Sn PLATED
1	KNOB	NYLON+F.G+94V0	1	BLACK

WITHIN 1.5mm: ±0.1mm  
OVER 1.5mm: ±0.2mm

THESE DRAWINGS AND SPECIFICATIONS ARE THE PROPERTY OF ACCURATE INNOTECH INC AND SHALL NOT BE REPRODUCED, COPIED OR USED IN ANY MANNER WITHOUT THE PRIOR WRITTEN CONSENT OF ACCURATE INNOTECH INC.

UNITS	mm
MAT'L	SEE NOTE
FINISH	SEE NOTE
Q'TY	

雅安科技有限公司  
ACCURATE INNOTECH INC.

TITLE: SLIDE SWITCH / VERTICAL  
PART NO.: SS-12D11-JD

DR: Ricky 2015/06/09  
DWG NO.: ADJ-12D11-JD

CHKD: Ricky 2015/06/09

APPD:

SCALE	SHEET	REV.	CUSTOMER DRAWING
3:1	1/1	A	