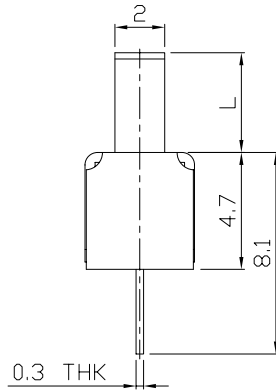
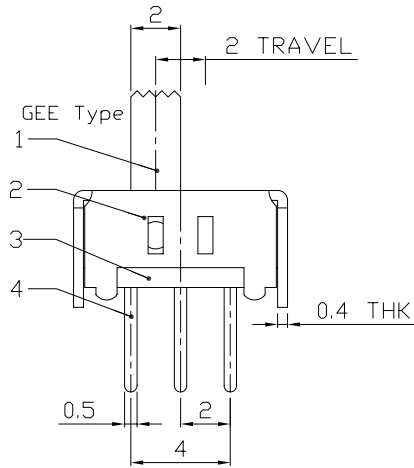
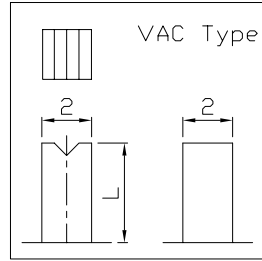
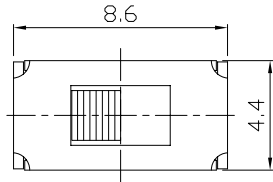




RoHS
Compliant
2002/95/EC

REV.	ECN.	NO.	APPD.

DIMENSIONS

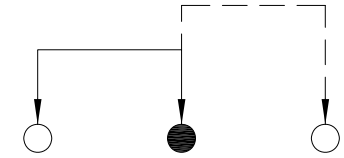
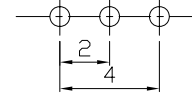


MODEL CODE

SS-12D29-GEE

Knob Type
GEE
VAC

L(mm)
~



P.C.B LAYOUT
BOTTOM VIEW

CIRCUIT DIAGRAM

ELECTRO-MECHANICAL CHARACTERISTICS

Refer to additional specifications

RATING	0.3A 50V DC
CIRCUIT	1P2T
CONTACT RESISTANCE	30mΩ MAX.
TIMING	NON-SHORTING
TRAVEL	2mm
OPERATING FORCE	250±100gf
OPERATING LIFE(cycles)	10,000

8							
7							
6	SPRING PLATE	SUS	1	NATURAL	WITHIN 1.5mm: ±0.1mm	UNITS	mm
5	CONTACT CLIP	PBS C5210R-EH	1	Ag CLAD	OVER 1.5mm: ±0.2mm	MAT'L	SEE NOTE
4	TERMINAL	BRASS STRIP	3	Ag PLATED OVER Ni PLATED		FINISH	SEE NOTE
3	BASE	PHENOLIC RESIN	1	NATURAL		Q'TY	
2	FRAME	STEEL STRIP	1	Ni PLATED			
1	KNOB	POM	1	BLACK			
NO.	PARTS	MATERIAL	Q'TY	FINISHING			

THESE DRAWINGS AND SPECIFICATIONS ARE THE PROPERTY OF ACCURATE INNOTECH INC AND SHALL NOT BE REPRODUCED, COPIED OR USED IN ANY MANNER WITHOUT THE PRIOR WRITTEN CONSENT OF ACCURATE INNOTECH INC.



雅安科技有限公司
ACCURATE INNOTECH INC.

TITLE: SLIDE SWITCH / VERTICAL

PART NO.: SS-12D29

DR: Ricky 2015/06/09

DWG NO.: ADJ-12D29

CHKD: Ricky 2015/06/09

APPD:

SCALE	SHEET	REV.	CUSTOMER DRAWING
4:1	1/1	A	