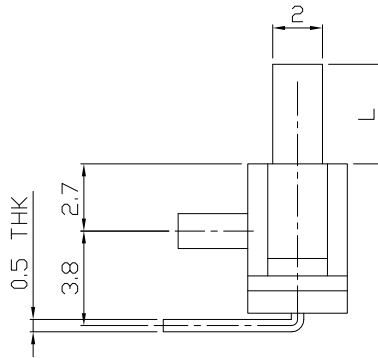
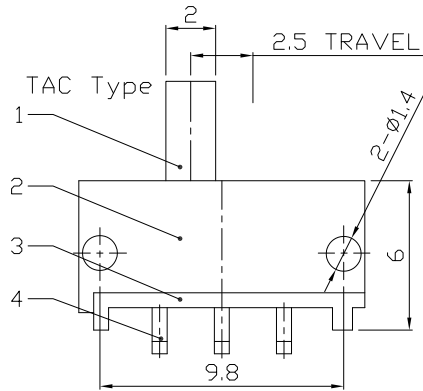
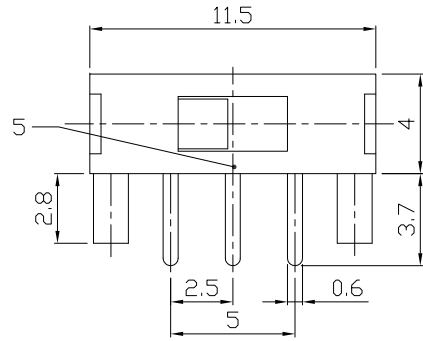




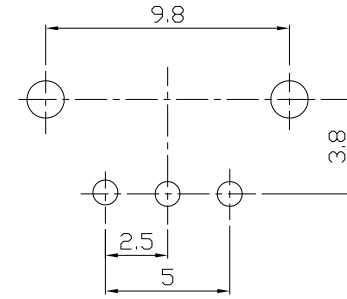
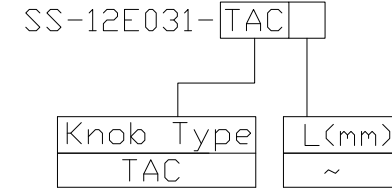
RoHS  
Compliant  
2002/95/EC

REV.	ECN.	NO.	APPD.

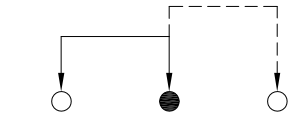
### DIMENSIONS



### MODEL CODE



P.C.B LAYOUT  
BOTTOM VIEW



CIRCUIT DIAGRAM

### ELECTRO-MECHANICAL CHARACTERISTICS

Refer to additional specifications

RATING	0.3A 50V DC
CIRCUIT	1P2T
CONTACT RESISTANCE	30mΩ MAX.
TIMING	SHORTING
TRAVEL	2.5mm
OPERATING FORCE	250±100gf
OPERATING LIFE(cycles)	10,000

8					WITHIN 1.5mm: ±0.1mm	UNITS	mm	雅安科技有限公司 ACCURATE INNOTECH INC.			
7					OVER 1.5mm: ±0.2mm	MAT'L					
6						SEE NOTE		TITLE:	PART NO.:		
5	CONTACT CLIP	PBS C5210R-EH	1	Ag CLAD				SLIDE SWITCH / VERTICAL	SS-12E031		
4	TERMINAL	BRASS STRIP	3	Ag PLATED				DR:	Ricky 2016/08/04		
3	BASE	PA+F.G	1	BLACK				CHKD:	Ricky 2016/08/04		
2	HOUSING	PA+F.G	1	BLACK				APPD:			
1	KNOB	PA+F.G	1	BLACK				SCALE	SHEET	REV.	CUSTOMER
NO.	PARTS	MATERIAL	Q'TY	FINISHING				4:1	1/1	A	DRAWING

THESE DRAWINGS AND SPECIFICATIONS ARE THE PROPERTY OF ACCURATE INNOTECH INC AND SHALL NOT BE REPRODUCED, COPIED OR USED IN ANY MANNER WITHOUT THE PRIOR WRITTEN CONSENT OF ACCURATE INNOTECH INC.

