

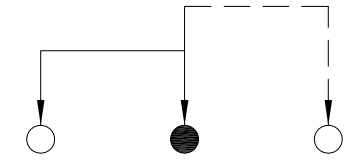
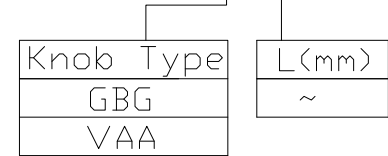


RoHS
Compliant
2002/95/EC

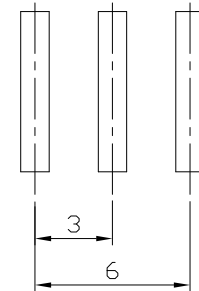
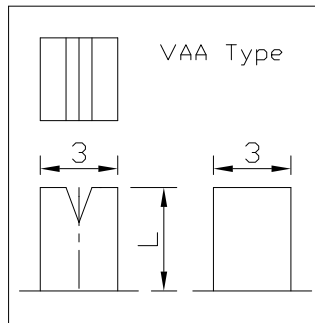
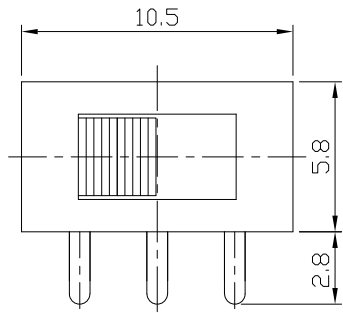
REV.	ECN. NO.	APPD.

MODEL CODE

SS-12F21-GBG

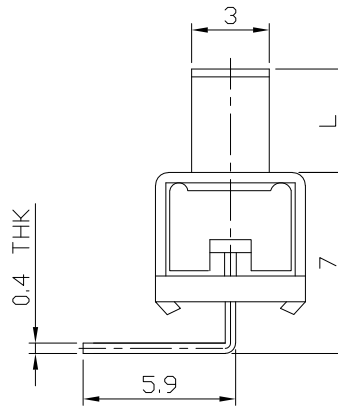
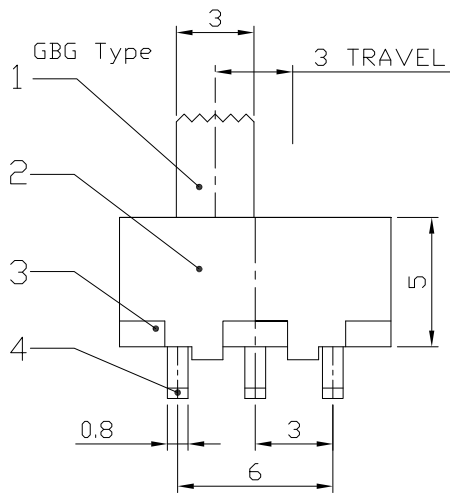


DIMENSIONS



P.C.B LAYOUT
BOTTOM VIEW

CIRCUIT DIAGRAM



ELECTRO-MECHANICAL CHARACTERISTICS
Refer to additional specifications

RATING	0.5A 50V DC
CIRCUIT	1P2T
CONTACT RESISTANCE	100mΩ MAX.
TIMING	NON-SHORTING
TRAVEL	3mm
OPERATING FORCE	180±80gf
OPERATING LIFE(cycles)	10,000

8					WITHIN 1.5mm: ±0.1mm	UNITS mm
7					OVER 1.5mm: ±0.2mm	MAT'L
6	CONTACT	BRASS STRIP	1	Ag PLATED		SEE NOTE
5	SPRING	STEEL WIRE	1	NATURAL		
4	TERMINAL	BRASS STRIP	3	Ag PLATED		FINISH
3	BASE	PHENOLIC RESIN	1	NATURAL		SEE NOTE
2	FRAME	STEEL STRIP	1	Ni PLATED		Q'TY
1	KNOB	POM	1	BLACK		
NO.	PARTS	MATERIAL	Q'TY	FINISHING		

THESE DRAWINGS AND SPECIFICATIONS ARE THE PROPERTY OF ACCURATE INNOTECH INC AND SHALL NOT BE REPRODUCED, COPIED OR USED IN ANY MANNER WITHOUT THE PRIOR WRITTEN CONSENT OF ACCURATE INNOTECH INC.

雅安科技有限公司
ACCURATE INNOTECH INC.

TITLE: SLIDE SWITCH / VERTICAL PART NO.: SS-12F21

DR: *Ricky* 2021/04/28 DWG NO.: ADL-12F21

CHKD: *Ricky* 2021/04/28

APPD: _____

SCALE	SHEET	REV.	CUSTOMER DRAWING
3:1	1/1	A	