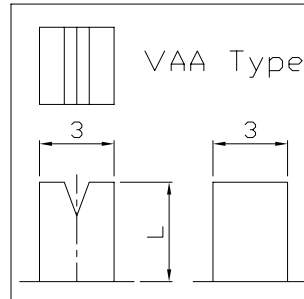
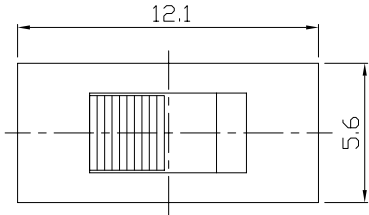




RoHS Compliant
2002/95/EC

REV.	ECN.	NO.	APPD.

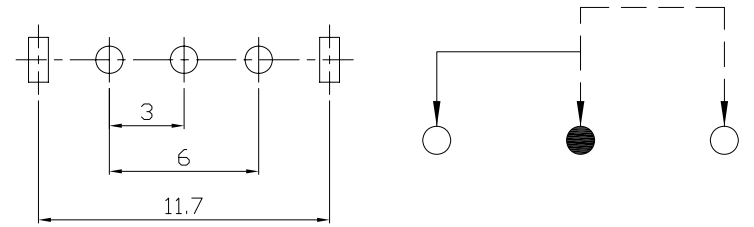
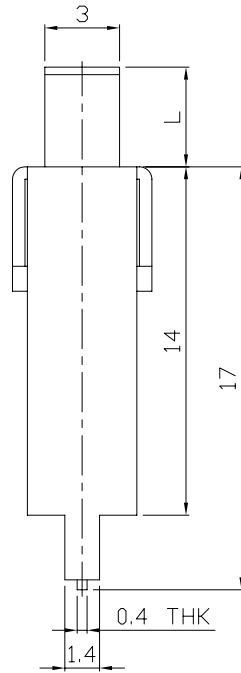
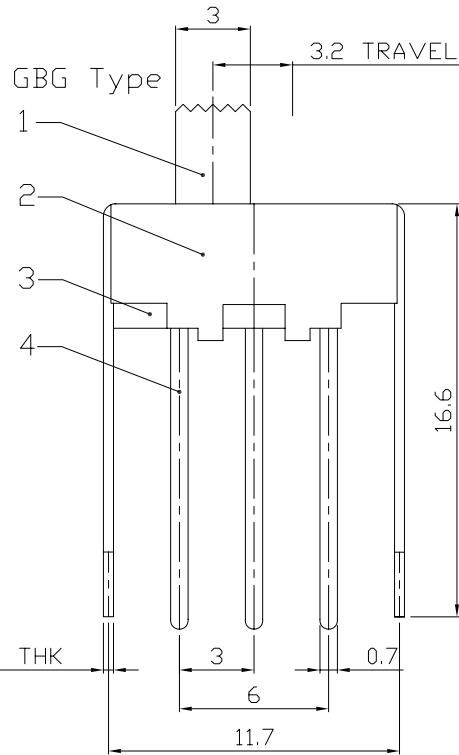
DIMENSIONS



MODEL CODE

SS-12F42-GBG

Knob Type	L(mm)
GBG	~
VAA	~



P.C.B LAYOUT
BOTTOM VIEW

CIRCUIT DIAGRAM

ELECTRO-MECHANICAL CHARACTERISTICS

Refer to additional specifications

RATING	0.5A 50V DC
CIRCUIT	1P2T
CONTACT RESISTANCE	100mΩ MAX.
TIMING	NON-SHORTING
TRAVEL	3.2mm
OPERATING FORCE	180±80gf
OPERATING LIFE(cycles)	10,000

8					WITHIN 1.5mm: ±0.1mm	UNITS mm	<p>雅安科技有限公司 ACCURATE INNOTECH INC.</p> <p>TITLE: SLIDE SWITCH / VERTICAL PART NO: SS-12F42</p> <p>DR: <i>Ricky</i> 2015/07/09 DWG NO: ADL-12F42</p> <p>CHKD: <i>Ricky</i> 2015/07/09</p> <p>APPD:</p> <table border="1"> <tr> <td>SCALE</td> <td>SHEET</td> <td>REV.</td> <td>CUSTOMER</td> </tr> <tr> <td>3:1</td> <td>1/1</td> <td>A</td> <td>DRAWING</td> </tr> </table>	SCALE	SHEET	REV.	CUSTOMER	3:1	1/1	A	DRAWING
SCALE	SHEET	REV.	CUSTOMER												
3:1	1/1	A	DRAWING												
7					OVER 1.5mm: ±0.2mm	MAT'L									
6	SPRING	STEEL WIRE	1	NATURAL		SEE NOTE									
5	CONTACT	BRASS STRIP	1	Ag PLATED		SEE NOTE									
4	TERMINAL	BRASS STRIP	3	Ag PLATED		SEE NOTE									
3	CASE	PHENOLIC RESIN	1	NATURAL		SEE NOTE									
2	FRAME	STEEL STRIP	1	Ni PLATED		SEE NOTE									
1	KNOB	POM	1	BLACK		SEE NOTE									
NO.	PARTS	MATERIAL	Q'TY	FINISHING											

THESE DRAWINGS AND SPECIFICATIONS ARE THE PROPERTY OF ACCURATE INNOTECH INC AND SHALL NOT BE REPRODUCED, COPIED OR USED IN ANY MANNER WITHOUT THE PRIOR WRITTEN CONSENT OF ACCURATE INNOTECH INC.

