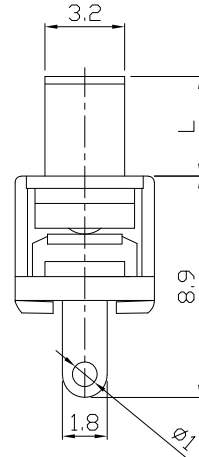
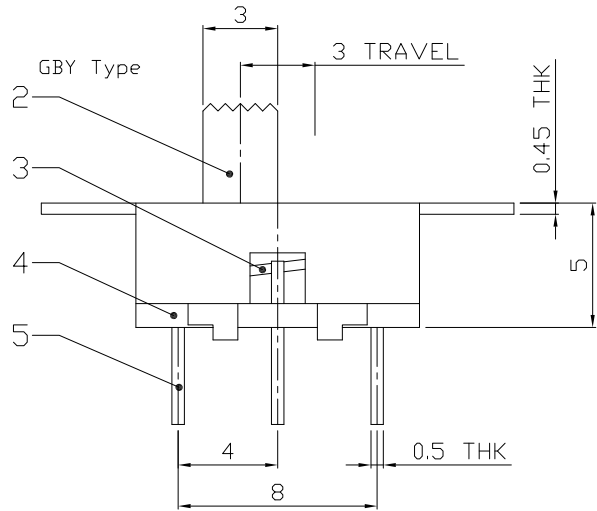
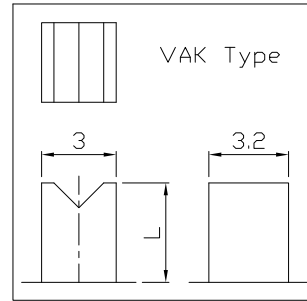
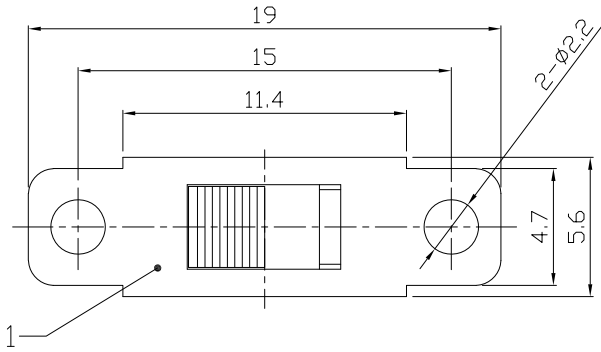




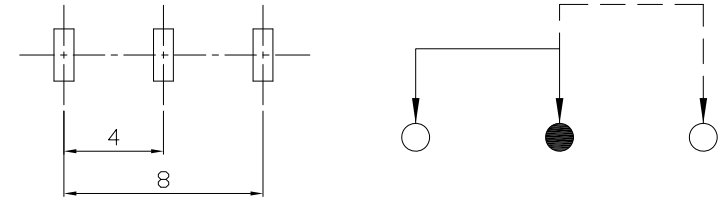
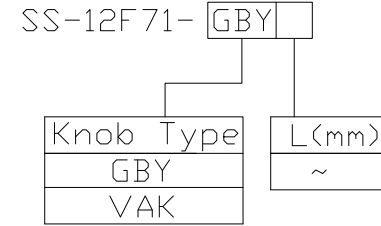
RoHS  
Compliant  
2002/95/EC

REV.	ECN.	NO.	APPD.

### DIMENSIONS



### MODEL CODE



P.C.B LAYOUT  
BOTTOM VIEW

CIRCUIT DIAGRAM

### ELECTRO-MECHANICAL CHARACTERISTICS

Refer to additional specifications

RATING	0.5A 50V DC
CIRCUIT	1P2T
CONTACT RESISTANCE	30mΩ MAX.
TIMING	NON-SHORTING
TRAVEL	3mm
OPERATING FORCE	200±100gf
OPERATING LIFE(cycles)	10,000

8					
7	SPRING	STEEL WIRE	1	NATURAL	WITHIN 1.5mm: ±0.1mm
6	STEEL BALL	STEEL	1	NATURAL	OVER 1.5mm: ±0.2mm
5	TERMINAL	BRASS STRIP	3	Ag PLATED OVER Ni PLATED	
4	BASE	PHENDLIC RESIN	1	NATURAL	
3	CONTACT	BRASS STRIP	1	Ag PLATED	
2	KNOB	POM	1	BLACK	
1	FRAME	STEEL STRIP	1	Ni PLATED	
NO.	PARTS	MATERIAL	Q'TY	FINISHING	

UNITS mm  
MAT'L SEE NOTE  
FINISH SEE NOTE  
Q'TY

THESE DRAWINGS AND SPECIFICATIONS ARE THE PROPERTY OF ACCURATE INNOTECH INC AND SHALL NOT BE REPRODUCED, COPIED OR USED IN ANY MANNER WITHOUT THE PRIOR WRITTEN CONSENT OF ACCURATE INNOTECH INC.

**雅安科技有限公司**  
**ACCURATE INNOTECH INC.**

TITLE: SLIDE SWITCH / VERTICAL	PART NO.: SS-12F71
DR: <i>Ricky</i> 2015/06/09	DWG NO.: ADJ-12F71
CHKD: <i>Ricky</i> 2015/06/09	SCALE SHEET REV. CUSTOMER 3:1 1/1 A DRAWING
APPD:	