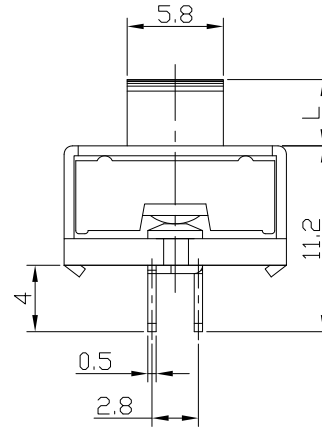
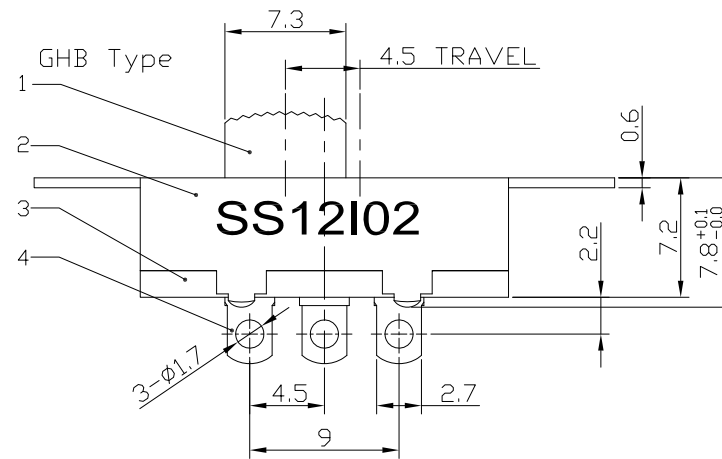
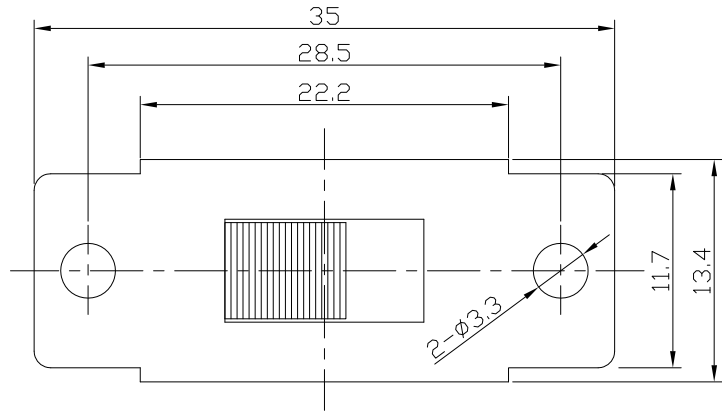




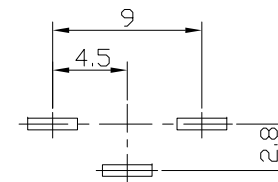
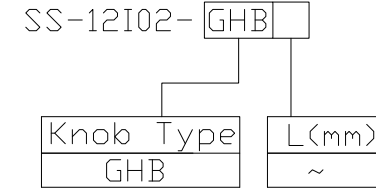
RoHS
Compliant
2002/95/EC

REV.	ECN.	NO.	APPD.

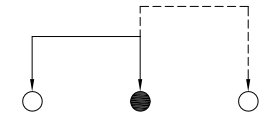
DIMENSIONS



MODEL CODE



P.C.B LAYOUT
BOTTOM VIEW



CIRCUIT DIAGRAM

ELECTRO-MECHANICAL CHARACTERISTICS

Refer to additional specifications

RATING	1.5A 250V AC
CIRCUIT	1P2T
CONTACT RESISTANCE	30mΩ MAX.
TIMING	NON-SHORTING
TRAVEL	4.5mm
OPERATING FORCE	350±100gf
OPERATING LIFE(cycles)	10,000

8					
7					
6	CONTACT	COPPER	1	Ag PLATED	
5	SPRING	STEEL WIRE	1	NATURAL	
4	TERMINAL	COPPER STRIP	3	Ag PLATED OVER Ni PLATED	
3	BASE	PHENOLIC RESIN	1	BLACK	
2	FRAME	STEEL STRIP	1	Ni PLATED	
1	KNOB	NYLON+F.G (UL 94V0)	1	BLACK	
NO.	PARTS	MATERIAL	Q'TY	FINISHING	

WITHIN 1.5mm: ±0.1mm
OVER 1.5mm: ±0.2mm

THESE DRAWINGS AND SPECIFICATIONS ARE THE PROPERTY OF ACCURATE INNOTECH INC AND SHALL NOT BE REPRODUCED, COPIED OR USED IN ANY MANNER WITHOUT THE PRIOR WRITTEN CONSENT OF ACCURATE INNOTECH INC.

UNITS	mm
MAT'L	SEE NOTE
FINISH	SEE NOTE
Q'TY	

雅安科技有限公司 ACCURATE INNOTECH INC.			
TITLE:	SLIDE SWITCH / VERTICAL	PART NO.:	SS-12I02
DR:	Ricky 2016/08/08	DWG NO.:	AZJ-12I02
CHKD:	Ricky 2016/08/08	SCALE	2:1
APPD:		SHEET	1/1
		REV.	A
		CUSTOMER DRAWING	