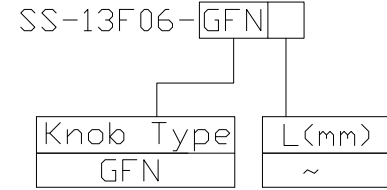




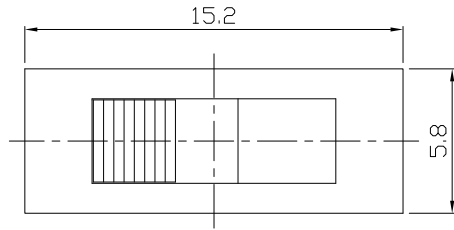
RoHS
Compliant
2002/95/EC

REV.	ECN.	NO.	APPD.

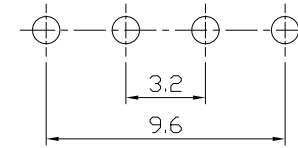
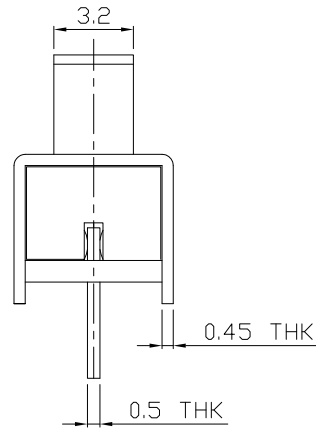
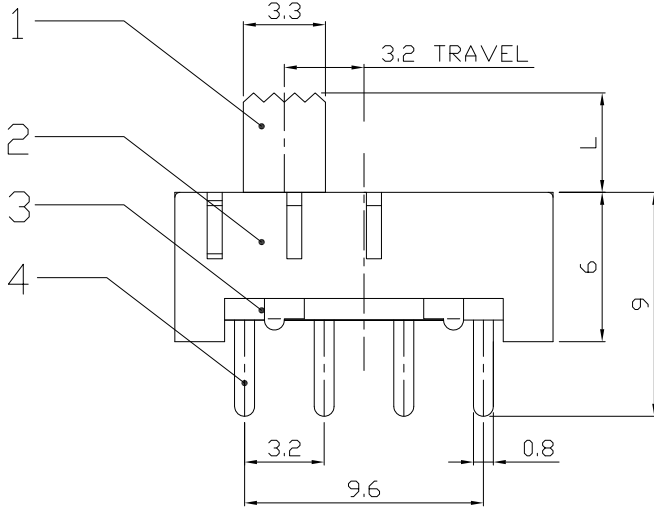
MODEL CODE



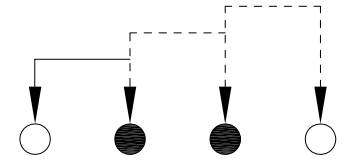
DIMENSIONS



GFN Type



P.C.B LAYOUT
BOTTOM VIEW



CIRCUIT DIAGRAM

ELECTRO-MECHANICAL CHARACTERISTICS

Refer to additional specifications

RATING	0.3A 50V DC
CIRCUIT	1P3T
CONTACT RESISTANCE	30mΩ MAX.
TIMING	SHORTING
TRAVEL	3.2mm
OPERATING FORCE	250±100gf
OPERATING LIFE(cycles)	10,000

8							
7	CONTACT	C5210	1	Ag CLAD	WITHIN 1.0mm: ±0.2mm	UNITS	mm
6	STEEL BALL	SUS	1	NATURAL	OVER 1.0mm: ±0.3mm	MAT'L	
5	SPRING	SUS	1	NATURAL		SEE NOTE	
4	TERMINAL	BRASS STRIP	4	Ag PLATED		FINISH	
3	TERMINAL CASE	PHENOLIC RESIN	1	NATURAL		SEE NOTE	
2	COVER	SPCC-SD	1	Ni PLATED		Q'TY	
1	KNOB	PDM	1	BLACK			
NO.	PARTS	MATERIAL	Q'TY	FINISHING			

THESE DRAWINGS AND SPECIFICATIONS ARE THE PROPERTY OF ACCURATE INNOTECH INC AND SHALL NOT BE REPRODUCED, COPIED OR USED IN ANY MANNER WITHOUT THE PRIOR WRITTEN CONSENT OF ACCURATE INNOTECH INC.

雅安科技有限公司 ACCURATE INNOTECH INC.			
TITLE: SLIDE SWITCH / VERTICAL		PART NO.: SS-13F06	
DR: <i>Ricky</i> 2016/08/09		DWG NO.: AZJ-13F06	
CHKD: <i>Ricky</i> 2016/08/09		SCALE	SHEET
APPD:		1:1	1/1
		REV.	CUSTOMER DRAWING
		A	