



RoHS Compliant
2002/95/EC

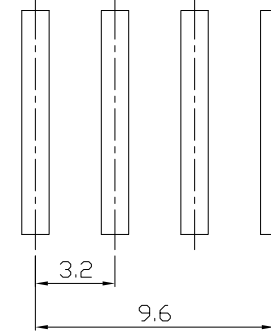
REV.	ECN. NO.	APPD.

MODEL CODE

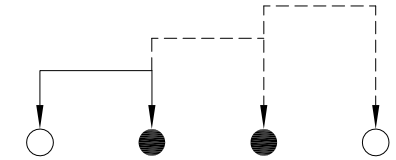
SS-13F16-GFA

Knob Type
GFA
VAJ

L(mm)
~

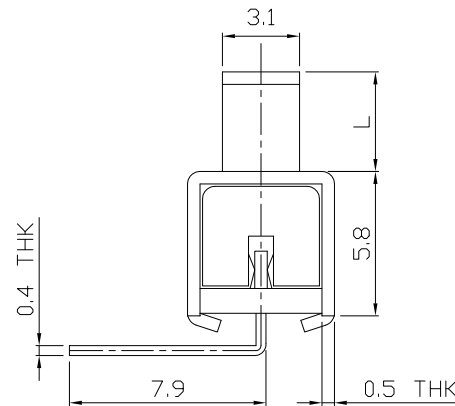
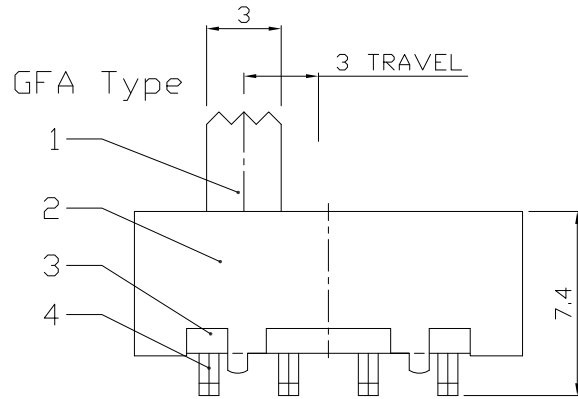
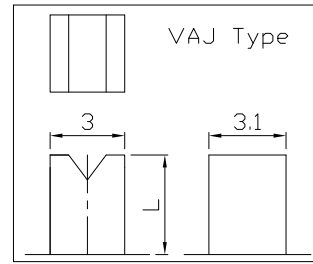
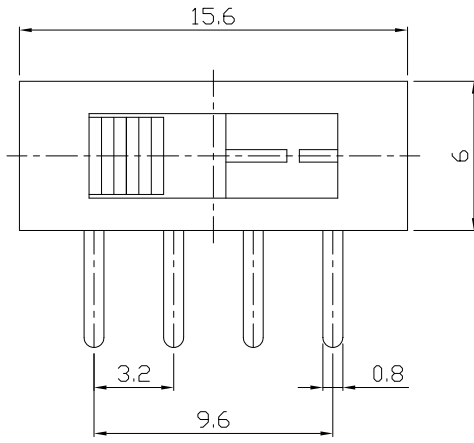


P.C.B LAYOUT
BOTTOM VIEW



CIRCUIT DIAGRAM

DIMENSIONS



ELECTRO-MECHANICAL CHARACTERISTICS
Refer to additional specifications

RATING	0.5A 50V DC
CIRCUIT	1P3T
CONTACT RESISTANCE	100mΩ MAX.
TIMING	NON-SHORTING
TRAVEL	3mm
OPERATING FORCE	250±100gf
OPERATING LIFE(cycles)	10,000

8					WITHIN 1.5mm: ±0.1mm	UNITS mm
7	STEEL BALL	STEEL	1	Ag PLATED	OVER 1.5mm: ±0.2mm	MAT'L
6	SPRING	STEEL WIRE	1	NATURAL		SEE NOTE
5	CONTACT CLIP	PBS C5210R-EH	1	Ag CLAD		FINISH
4	TERMINAL	BRASS STRIP	4	Ag PLATED		SEE NOTE
3	BASE	PHENOLIC RESIN	1	NATURAL		Q'TY
2	FRAME	STEEL STRIP	1	Ni PLATED		
1	KNOB	POM	1	BLACK		
NO.	PARTS	MATERIAL	Q'TY	FINISHING		

THESE DRAWINGS AND SPECIFICATIONS ARE THE PROPERTY OF ACCURATE INNOTECH INC AND SHALL NOT BE REPRODUCED, COPIED OR USED IN ANY MANNER WITHOUT THE PRIOR WRITTEN CONSENT OF ACCURATE INNOTECH INC.



雅安科技有限公司
ACCURATE INNOTECH INC.

TITLE:	SLIDE SWITCH / VERTICAL	PART NO.:	SS-13F16
DR:	Ricky 2015/07/14	DWG NO.:	ADL-13F16
CHKD:	Ricky 2015/07/14	SCALE	3:1
APPD:		SHEET	1/1
		REV.	A
		CUSTOMER DRAWING	