



RoHS  
Compliant  
2002/95/EC

REV.	ECN. NO.	APPD.

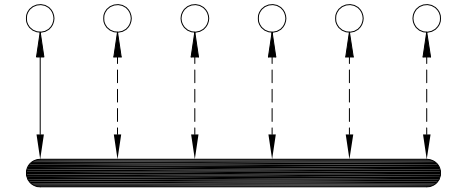
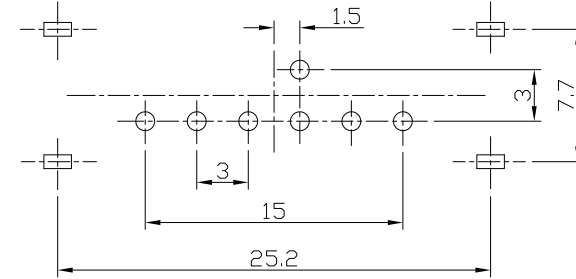
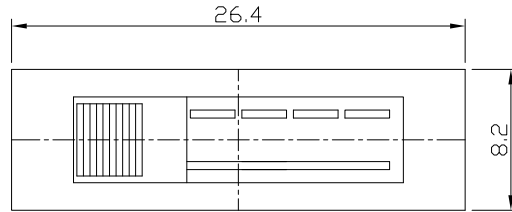
MODEL CODE

SS-16F03-GBB

Knob Type
GBB

L(mm)
~

DIMENSIONS

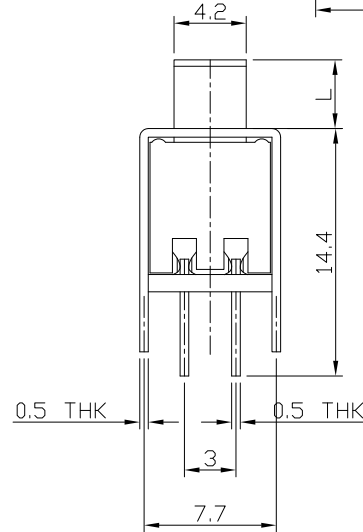
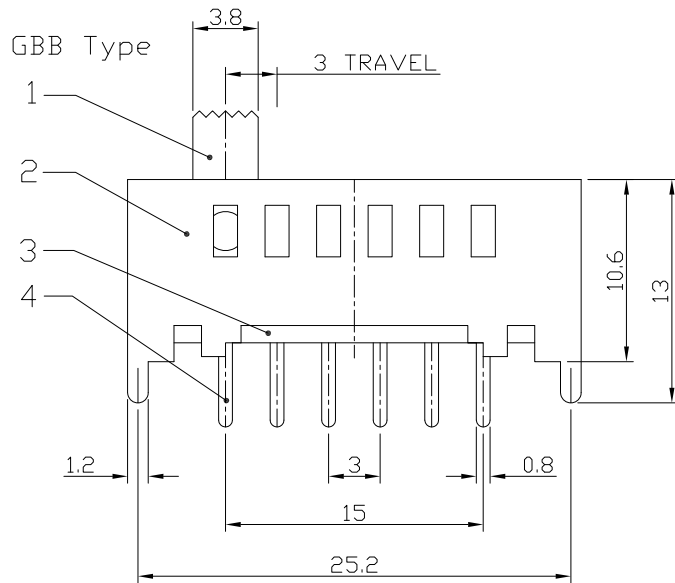


P.C.B LAYOUT  
BOTTOM VIEW

CIRCUIT DIAGRAM

ELECTRO-MECHANICAL CHARACTERISTICS  
Refer to additional specifications

RATING	0.5A 50V DC
CIRCUIT	1P6T
CONTACT RESISTANCE	100mΩ MAX.
TIMING	SHORTING
TRAVEL	3mm
OPERATING FORCE	300±100gf
OPERATING LIFE(cycles)	10,000



NO.	PARTS	MATERIAL	Q'TY	FINISHING
8				
7	CONTACT CLIP	BRASS STEEL	1	Ag PLATED
6	SPRING	STEEL WIRE	2	NATURAL
5	STEEL BALL	STEEL	2	NATURAL
4	TERMINAL	BRASS STRIP	7	Ag PLATED
3	BASE	PHENOLIC RESIN	1	NATURAL
2	FRAME	STEEL STRIP	1	Zn PLATED
1	KNOB	POM	1	BLACK

WITHIN 1.5mm: ±0.1mm  
OVER 1.5mm: ±0.2mm

THESE DRAWINGS AND SPECIFICATIONS ARE THE PROPERTY OF ACCURATE INNOTECH INC AND SHALL NOT BE REPRODUCED, COPIED OR USED IN ANY MANNER WITHOUT THE PRIOR WRITTEN CONSENT OF ACCURATE INNOTECH INC.

UNITS	mm
MAT'L	SEE NOTE
FINISH	SEE NOTE
Q'TY	

雅安科技有限公司  
ACCURATE INNOTECH INC.

TITLE: SLIDE SWITCH / VERTICAL  
PART NO.: SS-16F03

DR: Ricky 2015/07/15  
DWG NO.: ADL-16F03

CHKD: Ricky 2015/07/15

APPD:

SCALE	SHEET	REV.	CUSTOMER DRAWING
2:1	1/1	A	