



RoHS  
Compliant  
2002/95/EC

MODEL CODE

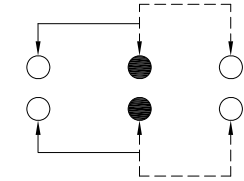
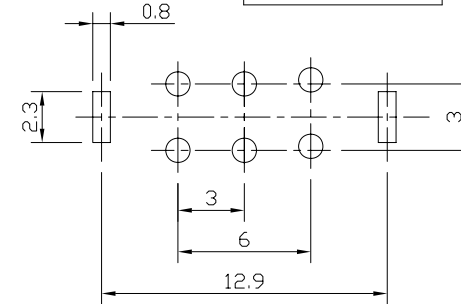
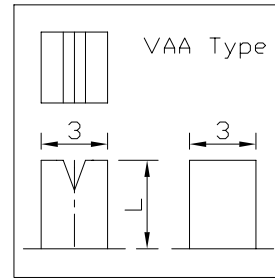
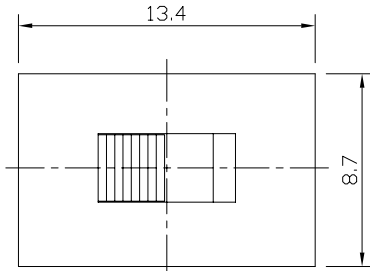
SS-22F04-GBG

Knob Type  
GBG  
VAA

L(mm)  
~

REV.	ECN.	NO.	APPD.

DIMENSIONS



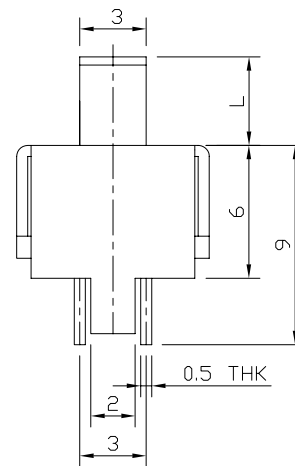
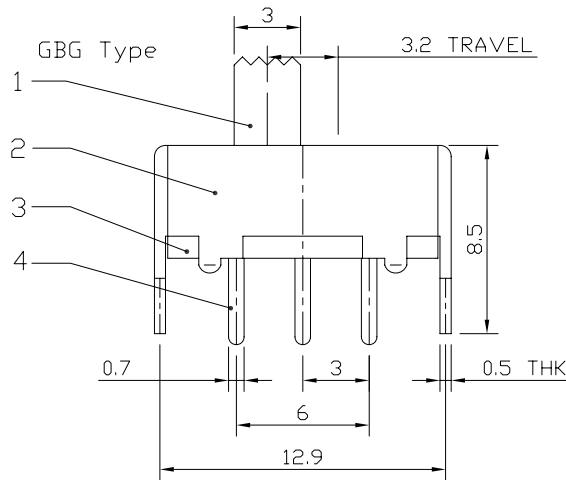
P.C.B LAYOUT  
BOTTOM VIEW

CIRCUIT DIAGRAM

ELECTRO-MECHANICAL CHARACTERISTICS

Refer to additional specifications

RATING	0.5A 50V DC
CIRCUIT	2P2T
CONTACT RESISTANCE	100mΩ MAX.
TIMING	NO SHORTING
TRAVEL	3.2mm
OPERATING FORCE	180±100gf
OPERATING LIFE(cycles)	10,000



8							
7							
6	SPRING	STEEL WIRE	2	NATURAL			
5	CONTACT	BRASS STRIP	2	Ag PLATED			
4	TERMINAL	BRASS STRIP	6	Ag PLATED			
3	BASE	PHENOLIC RESIN	1	NATURAL			
2	FRAME	STEEL STRIP	1	Ni PLATED			
1	KNOB	POM	1	BLACK			
NO.	PARTS	MATERIAL	Q'TY	FINISHING			

WITHIN 1.5mm: ±0.1mm  
OVER 1.5mm: ±0.2mm

UNITS mm

MAT'L  
SEE NOTE

FINISH  
SEE NOTE

Q'TY

THESE DRAWINGS AND SPECIFICATIONS ARE THE PROPERTY OF ACCURATE INNOTECH INC AND SHALL NOT BE REPRODUCED, COPIED OR USED IN ANY MANNER WITHOUT THE PRIOR WRITTEN CONSENT OF ACCURATE INNOTECH INC.

雅安科技有限公司  
ACCURATE INNOTECH INC.

TITLE: SLIDE SWITCH / VERTICAL  
PART NO.: SS-22F04

DR: Ricky 2015/05/26  
DWG NO.: ADL-22F04

CHKD: Ricky 2015/05/26

APPD:

SCALE	SHEET	REV.	CUSTOMER
3:1	1/1	A	DRAWING