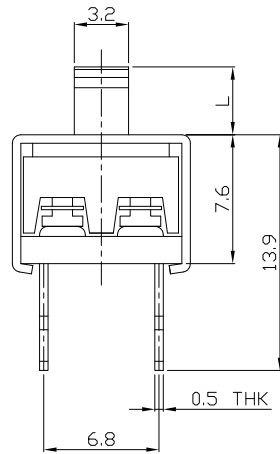
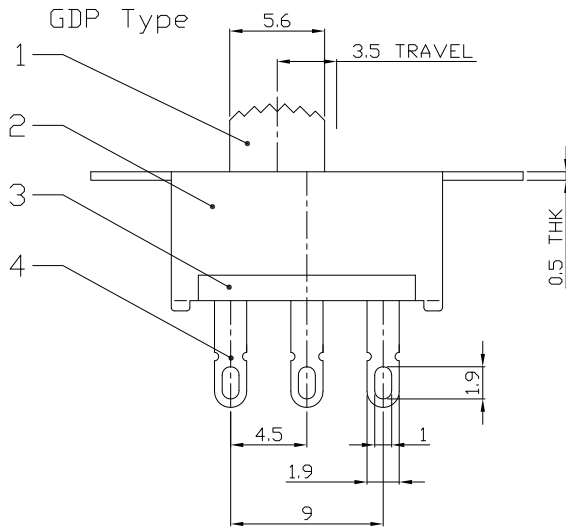
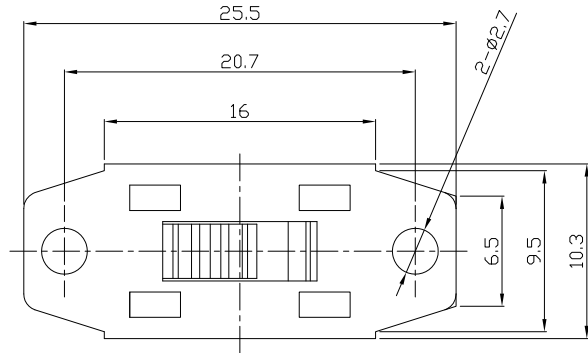




RoHS Compliant  
2002/95/EC

REV.	ECN.	NO.	APPD.

DIMENSIONS

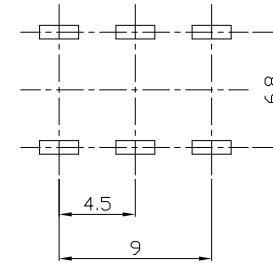


MODEL CODE

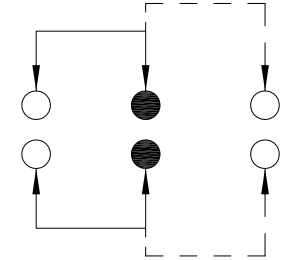
SS-22G08-GDP

Knob Type  
GDP

L(mm)  
~



P.C.B LAYOUT  
BOTTOM VIEW



CIRCUIT DIAGRAM

ELECTRO-MECHANICAL CHARACTERISTICS  
Refer to additional specifications

RATING	1A 125V AC
CIRCUIT	2P2T
CONTACT RESISTANCE	100mΩ MAX.
TIMING	NON-SHORTING
TRAVEL	3.5mm
OPERATING FORCE	250±100gf
OPERATING LIFE(cycles)	10,000

8					WITHIN 1.5mm: ±0.1mm	UNITS mm	雅安科技有限公司 ACCURATE INNOTECH INC.					
7					OVER 1.5mm: ±0.2mm	MAT'L					TITLE: SLIDE SWITCH / VERTICAL	
6	SPRING PLATE	PBS STRIP	2	NATURAL		SEE NOTE	DR: Ricky 2015/09/02		DWG NO.: ADL-22G08			
5	CONTACT	COPPER STRIP	2	Ag PLATED			CHKD: Ricky 2015/09/02					
4	TERMINAL	BRASS STRIP	6	Ag PLATED			APPD:		SCALE 2:1	SHEET 1/1	REV. A	CUSTOMER DRAWING
3	BASE	PHENOLIC RESIN	1	BLACK								
2	FRAME	STEEL STRIP	1	Ni PLATED								
1	KNOB	POM	1	BLACK								
NO.	PARTS	MATERIAL	Q'TY	FINISHING	THESE DRAWINGS AND SPECIFICATIONS ARE THE PROPERTY OF ACCURATE INNOTECH INC AND SHALL NOT BE REPRODUCED, COPIED OR USED IN ANY MANNER WITHOUT THE PRIOR WRITTEN CONSENT OF ACCURATE INNOTECH INC.							