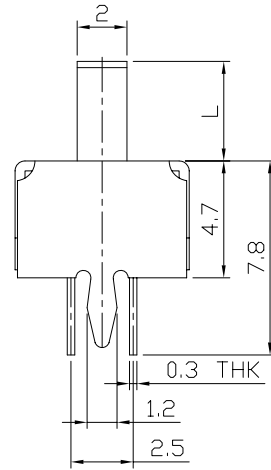
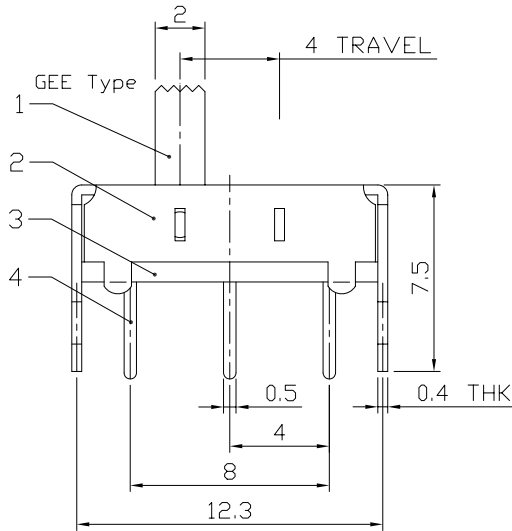
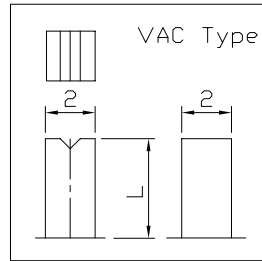
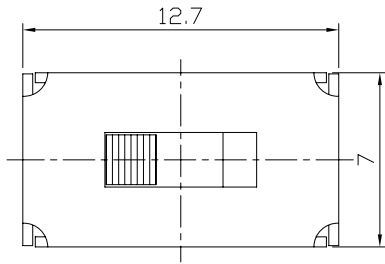




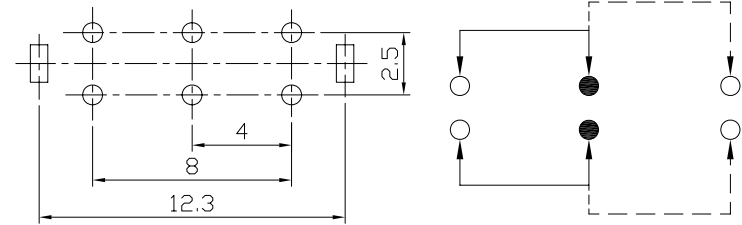
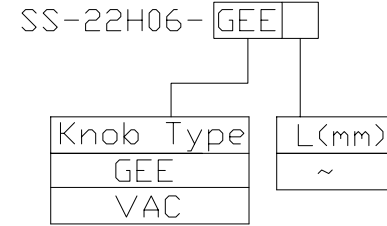
RoHS  
Compliant  
2002/95/EC

REV.	ECN.	NO.	APPD.

### DIMENSIONS



### MODEL CODE



P.C.B LAYOUT  
BOTTOM VIEW

CIRCUIT DIAGRAM

### ELECTRO-MECHANICAL CHARACTERISTICS

Refer to additional specifications

RATING	0.3A 50V DC
CIRCUIT	2P2T
CONTACT RESISTANCE	100mΩ MAX.
TIMING	NON-SHORTING
TRAVEL	4mm
OPERATING FORCE	200±50gf
OPERATING LIFE(cycles)	10,000

8					
7					
6	SPRING PLATED	SUS	1	NATURAL	
5	CONTACT CLIP	PBS STRIP	2	Ag PLATED	
4	TERMINAL	BRASS STRIP	6	Ag PLATED	
3	BASE	PHENOLIC RESIN	1	NATURAL	
2	FRAME	STEEL STRIP	1	Ni PLATED	
1	KNOB	POM	1	BLACK	
NO.	PARTS	MATERIAL	Q'TY	FINISHING	

WITHIN 1.5mm: ±0.1mm  
OVER 1.5mm: ±0.2mm

UNITS mm

MAT'L  
SEE NOTE

FINISH  
SEE NOTE

Q'TY

THESE DRAWINGS AND SPECIFICATIONS ARE THE PROPERTY OF ACCURATE INNOTECH INC AND SHALL NOT BE REPRODUCED, COPIED OR USED IN ANY MANNER WITHOUT THE PRIOR WRITTEN CONSENT OF ACCURATE INNOTECH INC.

**雅安科技有限公司**  
**ACCURATE INNOTECH INC.**

TITLE: SLIDE SWITCH / VERTICAL	PART NO.: SS-22H06
DR: <i>Ricky</i> 2015/05/28	DWG NO.: ADL-22H06
CHKD: <i>Ricky</i> 2015/05/28	SCALE SHEET REV. CUSTOMER 7/2 1/1 A DRAWING
APPD:	