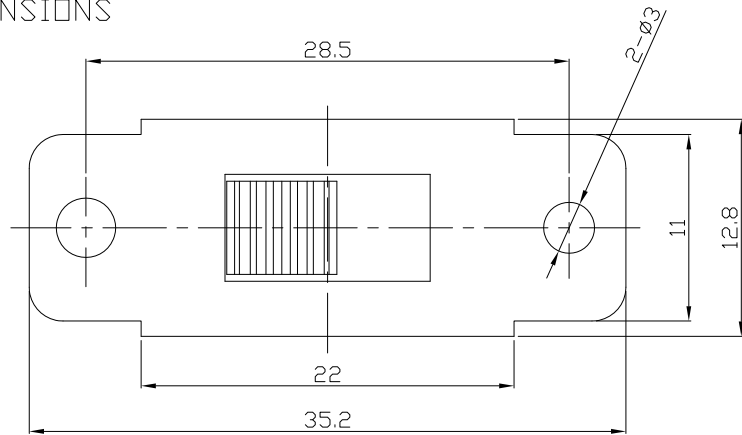




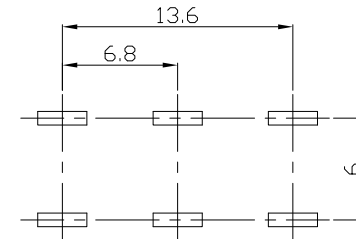
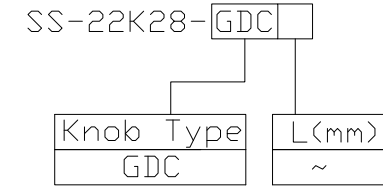
RoHS Compliant  
2002/95/EC

| REV. | ECN. NO. | APPD. |
|------|----------|-------|
|      |          |       |
|      |          |       |
|      |          |       |

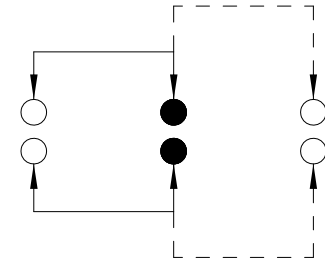
DIMENSIONS



MODEL CODE

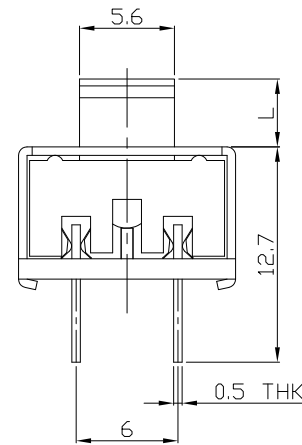
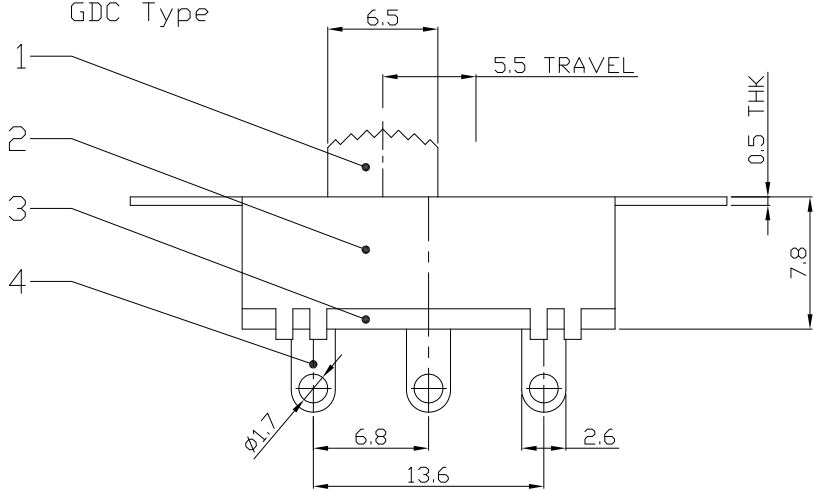


P.C.B LAYOUT  
BOTTOM VIEW



CIRCUIT DIAGRAM

GDC Type



ELECTRO-MECHANICAL CHARACTERISTICS  
Refer to additional specifications

|                        |              |
|------------------------|--------------|
| RATING                 | 0.3A 50V DC  |
| CIRCUIT                | 2P2T         |
| CONTACT RESISTANCE     | 100mΩ MAX.   |
| TIMING                 | NON-SHORTING |
| TRAVEL                 | 5.5mm        |
| OPERATING FORCE        | 300±100gf    |
| OPERATING LIFE(cycles) | 10,000       |

| NO. | PARTS          | MATERIAL       | Q'TY | FINISHING |
|-----|----------------|----------------|------|-----------|
| 8   | CONTACT CLIP   | PBS STRIP      | 2    | Ag PLATED |
| 7   | POSITION PLATE | STEEL STRIP    | 1    | Ni PLATED |
| 6   | STEEL BALL     | STEEL          | 1    | NATURAL   |
| 5   | SPRING         | STEEL WIRE     | 1    | NATURAL   |
| 4   | TERMINAL       | BRASS STRIP    | 6    | Ag PLATED |
| 3   | BASE           | PHENOLIC RESIN | 1    | NATURAL   |
| 2   | FRAME          | STEEL STRIP    | 1    | Ni PLATED |
| 1   | KNOB           | POM            | 1    | BLACK     |

|                      |          |
|----------------------|----------|
| WITHIN 1.5mm: ±0.1mm | UNITS mm |
| OVER 1.5mm: ±0.2mm   | MAT'L    |
|                      | SEE NOTE |
|                      | FINISH   |
|                      | SEE NOTE |
|                      | Q'TY     |

THESE DRAWINGS AND SPECIFICATIONS ARE THE PROPERTY OF ACCURATE INNOTECH INC AND SHALL NOT BE REPRODUCED, COPIED OR USED IN ANY MANNER WITHOUT THE PRIOR WRITTEN CONSENT OF ACCURATE INNOTECH INC.

|                                    |                       |       |                  |
|------------------------------------|-----------------------|-------|------------------|
| 雅安科技有限公司<br>ACCURATE INNOTECH INC. |                       |       |                  |
| TITLE:<br>SLIDE SWITCH / VERTICAL  | PART NO.:<br>SS-22K28 |       |                  |
| DR: Ricky 2015/09/04               | DWG NO.:<br>ADL-22K28 |       |                  |
| CHKD: Ricky 2015/09/04             | SCALE                 | SHEET | REV.             |
| APPD:                              | 2:1                   | 1/1   | A                |
|                                    |                       |       | CUSTOMER DRAWING |