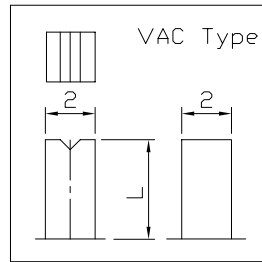
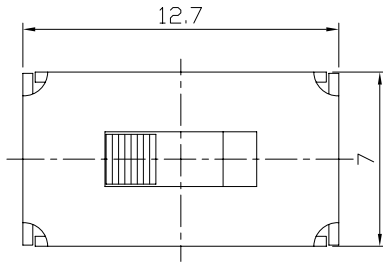




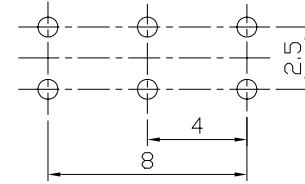
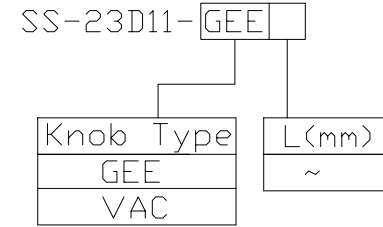
RoHS  
Compliant  
2002/95/EC

REV.	ECN.	NO.	APPD.

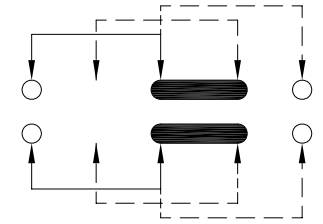
### DIMENSIONS



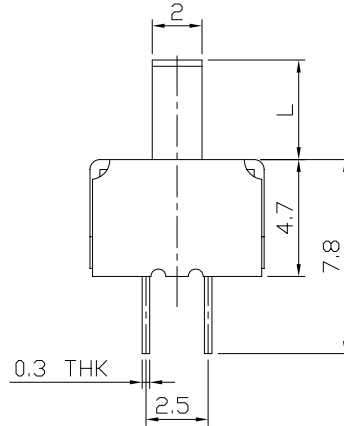
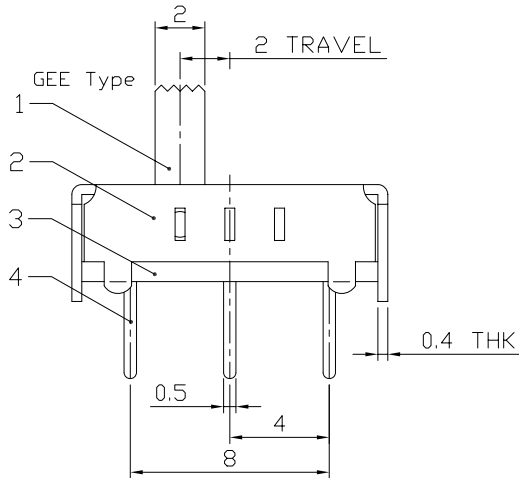
### MODEL CODE



P.C.B LAYOUT  
BOTTOM VIEW



CIRCUIT DIAGRAM



### ELECTRO-MECHANICAL CHARACTERISTICS

Refer to additional specifications

RATING	0.3A 50V DC
CIRCUIT	2P3T
CONTACT RESISTANCE	100mΩ MAX.
TIMING	NON-SHORTING
TRAVEL	2mm
OPERATING FORCE	250±100gf
OPERATING LIFE(cycles)	10,000

8							
7							
6	SPRING PLATED	PBS STRIP	1	NATURAL	WITHIN 1.5mm: ±0.1mm	UNITS	mm
5	CONTACT CLIP	PBS STRIP	2	Ag PLATED	OVER 1.5mm: ±0.2mm	MAT'L	SEE NOTE
4	TERMINAL	BRASS STRIP	6	Ag PLATED		FINISH	SEE NOTE
3	BASE	PHENOLIC RESIN	1	NATURAL		Q'TY	
2	FRAME	STEEL STRIP	1	Ni PLATED			
1	KNOB	POM	1	BLACK			
NO.	PARTS	MATERIAL	Q'TY	FINISHING			

THESE DRAWINGS AND SPECIFICATIONS ARE THE PROPERTY OF ACCURATE INNOTECH INC AND SHALL NOT BE REPRODUCED, COPIED OR USED IN ANY MANNER WITHOUT THE PRIOR WRITTEN CONSENT OF ACCURATE INNOTECH INC.



雅安科技有限公司 ACCURATE INNOTECH INC.			
TITLE: SLIDE SWITCH / VERTICAL		PART NO.: SS-23D11	
DR: <i>Ricky</i> 2015/05/28		DWG NO.: ADL-23D11	
CHKD: <i>Ricky</i> 2015/05/28		SCALE	SHEET
APPD:		7/2	1/1
		REV.	CUSTOMER DRAWING
		A	