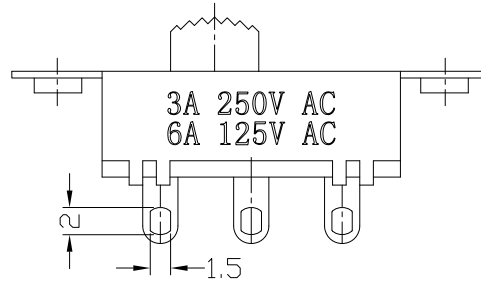
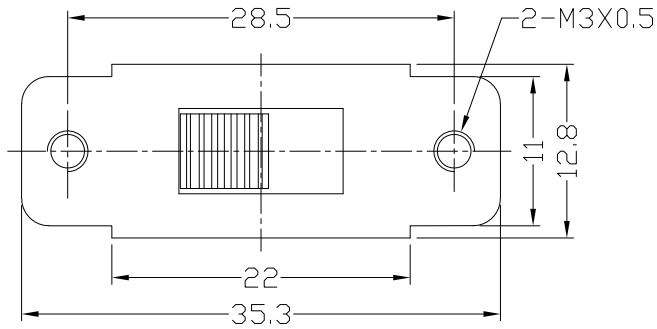




RoHS Compliant
2002/95/EC

REV.	ECN. NO.	APPD.

DIMENSIONS

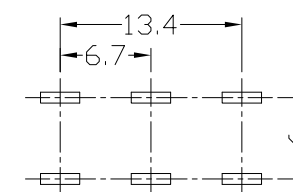
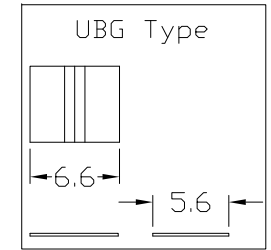


MODEL CODE

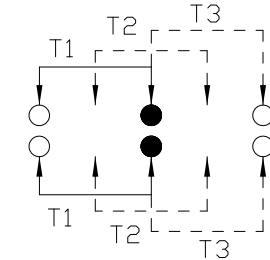
SS-23E15-

GDC

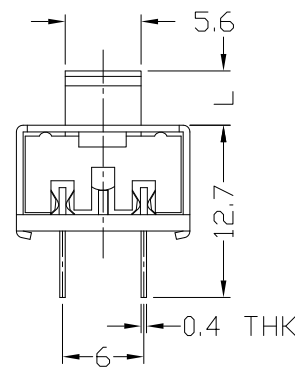
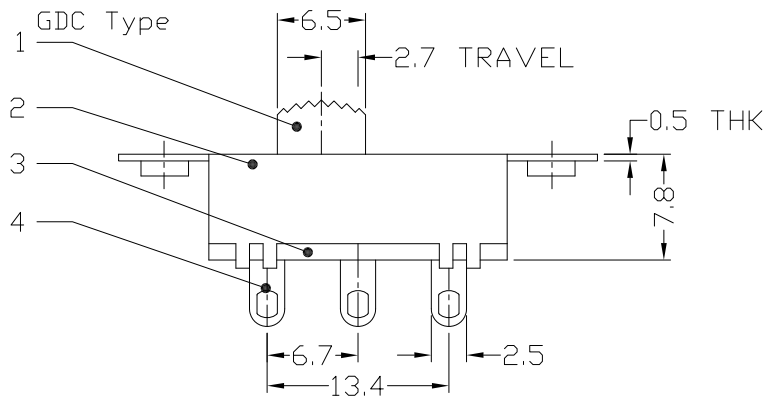
Knob Type	L(mm)
GDC	~
UBG	0



P.C.B LAYOUT
BOTTOM VIEW



CIRCUIT DIAGRAM



ELECTRO-MECHANICAL CHARACTERISTICS
Refer to additional specifications

RATING	3A 250V AC/6A 125V AC
CIRCUIT	2P3T
CONTACT RESISTANCE	100mΩ MAX.
TIMING	NON-SHORTING
TRAVEL	2.7mm
OPERATING FORCE	300±100gf
OPERATING LIFE(cycles)	10,000

8	CONTACT CLIP	PBS STRIP	2	Ag CLAD	WITHIN 1.5mm: ±0.1mm
7	POSITION PLATE	STEEL STRIP	1	Ni PLATED	OVER 1.5mm: ±0.2mm
6	STEEL BALL	STEEL	1	NATURAL	
5	SPRING	STEEL WIRE	1	NATURAL	
4	TERMINAL	BRASS STRIP	6	Ag PLATED	
3	BASE	PHENOLIC RESIN	1	NATURAL	
2	FRAME	STEEL STRIP	1	Ni PLATED	
1	KNOB	NYLON+94VD	1	BLACK	
NO.	PARTS	MATERIAL	Q'TY	FINISHING	

THESE DRAWINGS AND SPECIFICATIONS ARE THE PROPERTY OF ACCURATE INNOTECH INC AND SHALL NOT BE REPRODUCED, COPIED OR USED IN ANY MANNER WITHOUT THE PRIOR WRITTEN CONSENT OF ACCURATE INNOTECH INC.

UNITS	mm	雅安科技有限公司 ACCURATE INNOTECH INC.			
MAT'L	SEE NOTE				
FINISH	SEE NOTE	TITLE: SLIDE SWITCH / VERTICAL	PART NO.: SS-23E15		
Q'TY		DR: <i>Ricky</i> 2023/11/01	DWG NO.: ADL-23E15		
		CHKD: <i>Ricky</i> 2023/11/01	SCALE	SHEET	REV.
		APPD:	2:1	1/1	A
			CUSTOMER DRAWING		