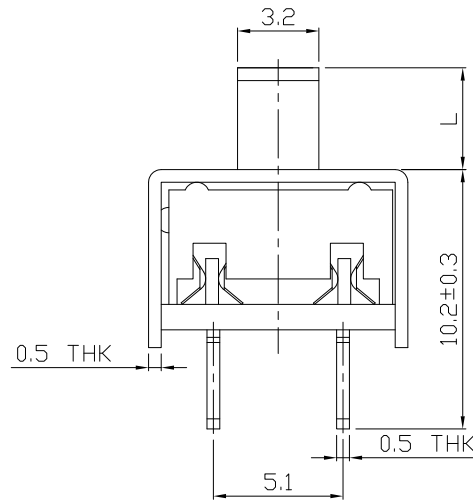
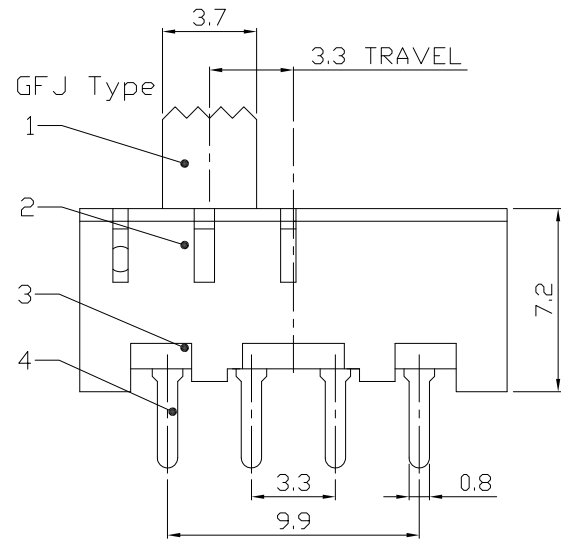
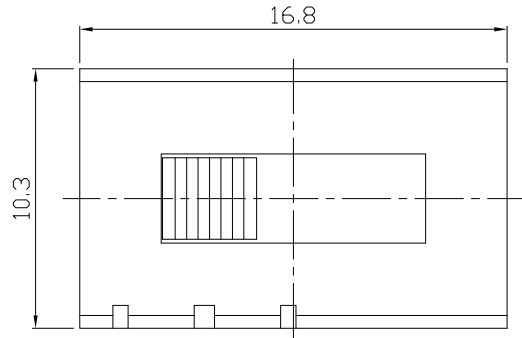




RoHS Compliant  
2002/95/EC

REV.	ECN.	NO.	APPD.

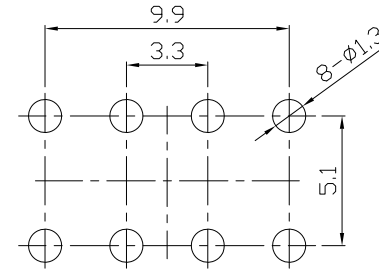
DIMENSIONS



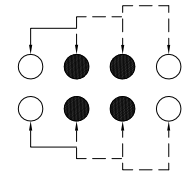
MODEL CODE

SS-23F40-GFJ

Knob Type	L(mm)
GFJ	~



P.C.B LAYOUT  
BOTTOM VIEW



CIRCUIT DIAGRAM

ELECTRO-MECHANICAL CHARACTERISTICS  
Refer to additional specifications

RATING	0.5A 50V DC
CIRCUIT	2P3T
CONTACT RESISTANCE	100mΩ MAX.
TIMING	NON-SHORTING
TRAVEL	3.3mm
OPERATING FORCE	250±100gf
OPERATING LIFE(cycles)	10,000

NO.	PARTS	MATERIAL	Q'TY	FINISHING
8				
7	STEEL BALL	SUS	1	NATURAL
6	SPRING	SUS	1	NATURAL
5	CONTACT CLIP	PBS	2	Ag CLAD
4	TERMINAL	BRASS	2	Ag PLATED
3	BASE	PHENOLIC RESIN	1	NATURAL
2	FRAME	STEEL SHEET	1	Ni PLATED
1	KNOB	PA66	1	BLACK

WITHIN 1.5mm: ±0.1mm  
OVER 1.5mm: ±0.2mm

THESE DRAWINGS AND SPECIFICATIONS ARE THE PROPERTY OF ACCURATE INNOTECH INC AND SHALL NOT BE REPRODUCED, COPIED OR USED IN ANY MANNER WITHOUT THE PRIOR WRITTEN CONSENT OF ACCURATE INNOTECH INC.

UNITS	mm
MAT'L	SEE NOTE
FINISH	SEE NOTE
Q'TY	

雅安科技有限公司  
ACCURATE INNOTECH INC.

TITLE: SLIDE SWITCH / VERTICAL  
PART NO.: SS-23F40

DR: Ricky 2016/02/17  
DWG NO.: ADL-23F40

CHKD: Ricky 2016/02/17

APPD:  

SCALE	SHEET	REV.	CUSTOMER DRAWING
3:1	1/1	A	