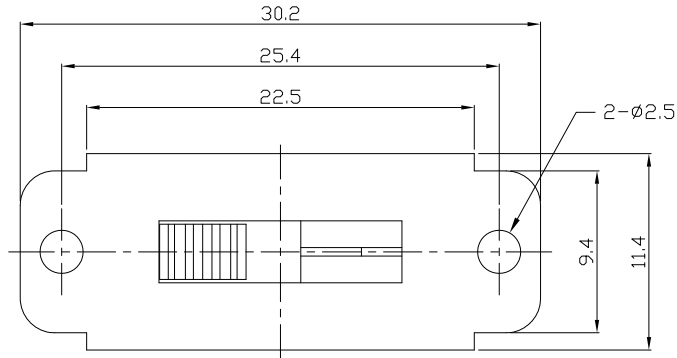




RoHS Compliant
2002/95/EC

REV.	ECN. NO.	APPD.

DIMENSIONS

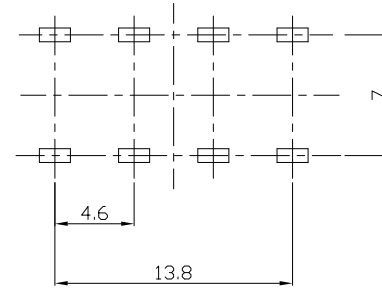


MODEL CODE

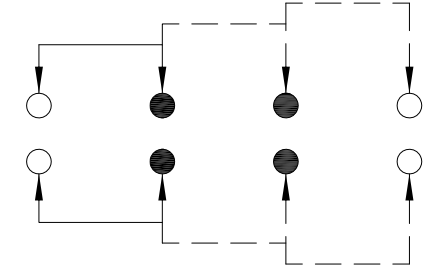
SS-23I01-GDL

Knob Type
GDL

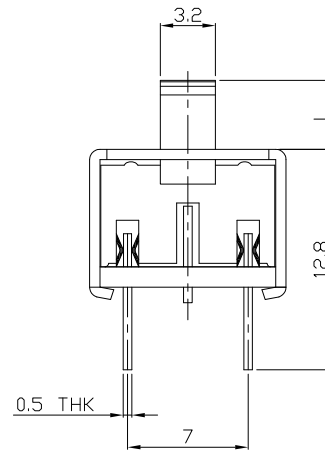
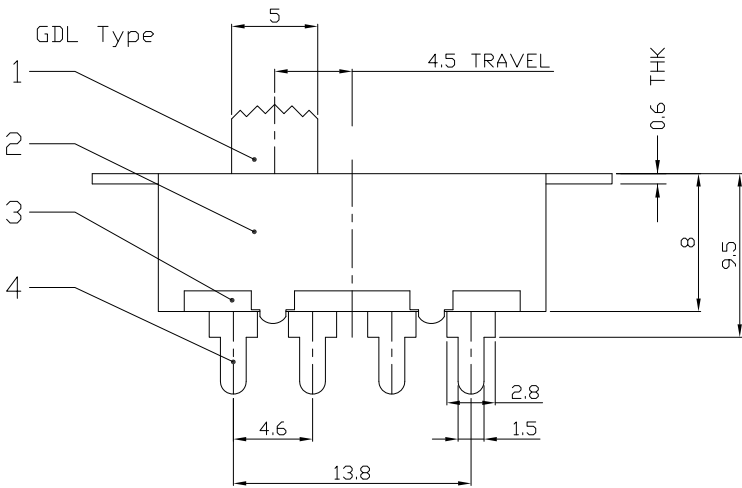
L(mm)
~



P.C.B LAYOUT
BOTTOM VIEW



CIRCUIT DIAGRAM



ELECTRO-MECHANICAL CHARACTERISTICS
Refer to additional specifications

RATING	1.5A 125V AC
CIRCUIT	2P3T
CONTACT RESISTANCE	100mΩ MAX.
TIMING	SHORTING
TRAVEL	4.5mm
OPERATING FORCE	450±150gf
OPERATING LIFE(cycles)	10,000

NO.	PARTS	MATERIAL	Q'TY	FINISHING
8	STRING PLATE	STEEL STRIP	1	Ni PLATED
7	SPRING	STEEL WIRE	1	NATURAL
6	CONTACT CLIP	PBS STRIP	2	Ag PLATED
5	STEEL BALL	STEEL	1	NATURAL
4	TERMINAL	BRASS STRIP	8	Ag PLATED
3	BASE	PHENOLIC RESIN	1	BLACK
2	FRAME	STEEL STRIP	1	Ni PLATED
1	KNOB	POM	1	BLACK
NO.	PARTS	MATERIAL	Q'TY	FINISHING

UNITS	雅安科技有限公司 ACCURATE INNOTECH INC.			
mm	TITLE: SLIDE SWITCH / VERTICAL		PART NO.: SS-23I01	
MAT'L	DR: <i>Ricky</i> 2015/05/29		DWG NO.: ADL-23I01	
SEE NOTE	CHKD: <i>Ricky</i> 2015/05/29		SCALE	SHEET
FINISH	APPD:		2:1	1/1
SEE NOTE	APPD:		REV.	CUSTOMER DRAWING
Q'TY	APPD:		A	

THESE DRAWINGS AND SPECIFICATIONS ARE THE PROPERTY OF ACCURATE INNOTECH INC AND SHALL NOT BE REPRODUCED, COPIED OR USED IN ANY MANNER WITHOUT THE PRIOR WRITTEN CONSENT OF ACCURATE INNOTECH INC.

