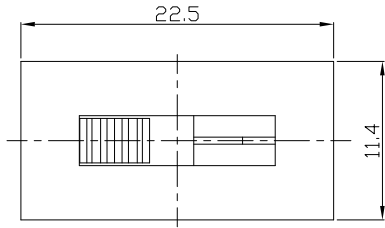




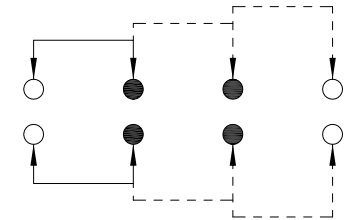
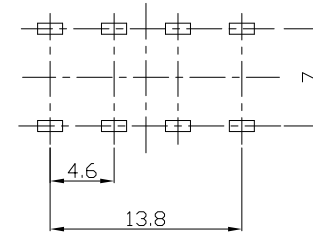
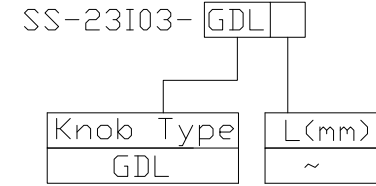
RoHS Compliant  
2002/95/EC

REV.	ECN.	NO.	APPD.

DIMENSIONS



MODEL CODE

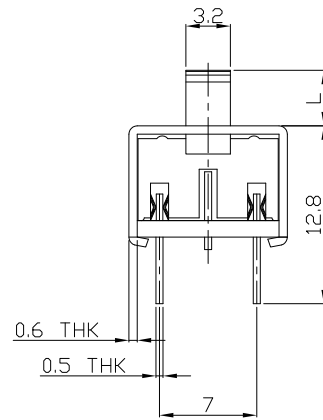
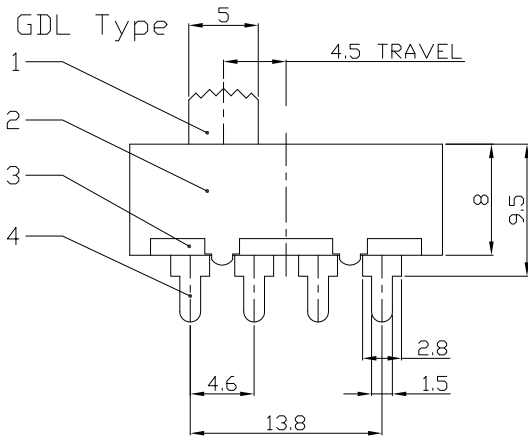


P.C.B LAYOUT  
BOTTOM VIEW

CIRCUIT DIAGRAM

ELECTRO-MECHANICAL CHARACTERISTICS  
Refer to additional specifications

RATING	1.5A 125V AC
CIRCUIT	2P3T
CONTACT RESISTANCE	100mΩ MAX.
TIMING	SHORTING
TRAVEL	4.5mm
OPERATING FORCE	450±100gf
OPERATING LIFE(cycles)	10,000



8	SPRING PLATE	STEEL STRIP	1	Ni PLATED	WITHIN 1.5mm: ±0.1mm
7	SPRING	STEEL STRIP	1	NATURAL	OVER 1.5mm: ±0.2mm
6	CONTACT CLIP	PBS STRIP	2	Ag PLATED	
5	STEEL BALL	STEEL	1	NATURAL	
4	TERMINAL	BRASS STRIP	8	Ag PLATED	
3	BASE	PHENOLIC RESIN	1	BLACK	
2	FRAME	STEEL STRIP	1	Ni PLATED	
1	KNOB	POM	1	BLACK	
NO.	PARTS	MATERIAL	Q'TY	FINISHING	

THESE DRAWINGS AND SPECIFICATIONS ARE THE PROPERTY OF ACCURATE INNOTECH INC AND SHALL NOT BE REPRODUCED, COPIED OR USED IN ANY MANNER WITHOUT THE PRIOR WRITTEN CONSENT OF ACCURATE INNOTECH INC.

UNITS	mm
MAT'L	SEE NOTE
FINISH	SEE NOTE
Q'TY	

**雅安科技有限公司**  
**ACCURATE INNOTECH INC.**

TITLE: SLIDE SWITCH / VERTICAL      PART NO.: SS-23103

DR: *Ricky* 2015/10/13      DWG NO.: ADL-23103

CHKD: *Ricky* 2015/10/13

APPD:      SCALE: 2:1      SHEET: 1/1      REV.: A      CUSTOMER DRAWING