



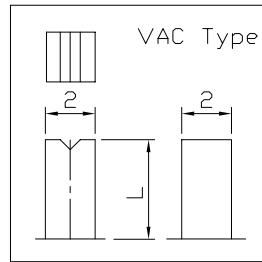
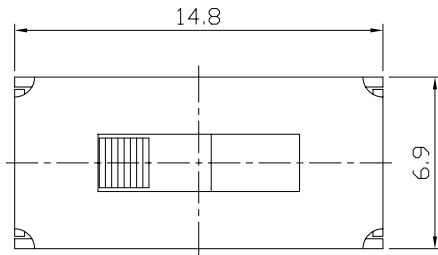
RoHS  
Compliant  
2002/95/EC

MODEL CODE

SS-24D02-GEE

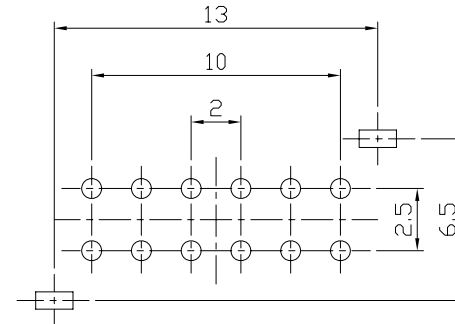
REV.	ECN. NO.	APPD.

DIMENSIONS

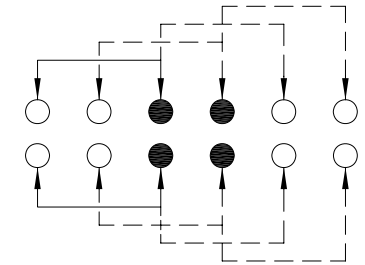


Knob Type
GEE
VAC

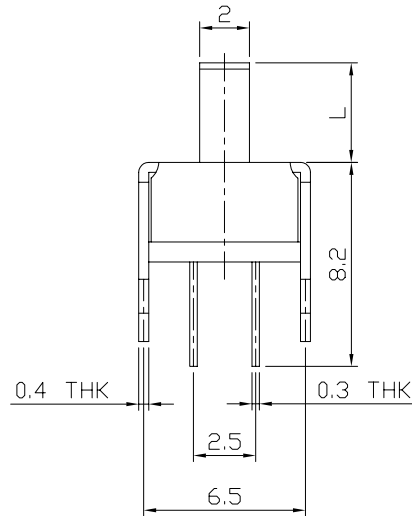
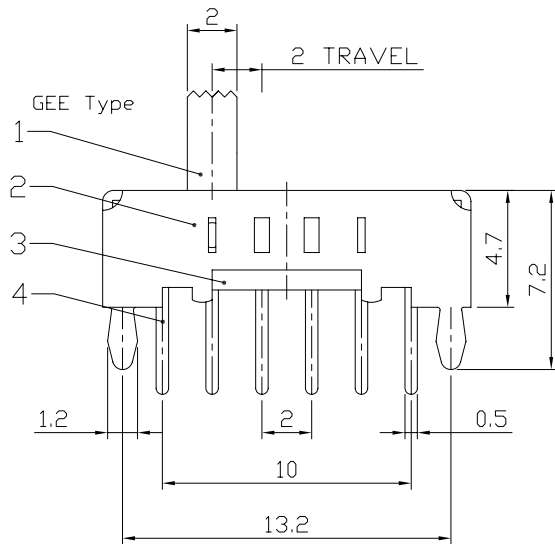
L(mm)
~



P.C.B LAYOUT  
BOTTOM VIEW



CIRCUIT DIAGRAM



ELECTRO-MECHANICAL CHARACTERISTICS

Refer to additional specifications

RATING	0.3A 50V DC
CIRCUIT	2P4T
CONTACT RESISTANCE	100mΩ MAX.
TIMING	SHORTING
TRAVEL	2mm
OPERATING FORCE	250±100gf
OPERATING LIFE(cycles)	10,000

8					WITHIN 1.5mm: ±0.1mm	UNITS	mm	雅安科技有限公司 ACCURATE INNOTECH INC.
7					OVER 1.5mm: ±0.2mm	MAT'L		
6	SPRING PLATED	SUS	1	NATURAL		SEE NOTE		TITLE:
5	CONTACT CLIP	PBS STRIP	2	Ag PLATED				SLIDE SWITCH / VERTICAL
4	TERMINAL	BRASS STRIP	12	Ag PLATED				PART NO.:
3	BASE	PHENOLIC RESIN	1	NATURAL				SS-24D02
2	FRAME	STEEL STRIP	1	Ni PLATED				DR: <i>Ricky</i> 2015/05/29
1	KNOB	PDM	1	BLACK				DWG NO.:
NO.	PARTS	MATERIAL	Q'TY	FINISHING				ADL-24D02

THESE DRAWINGS AND SPECIFICATIONS ARE THE PROPERTY OF ACCURATE INNOTECH INC AND SHALL NOT BE REPRODUCED, COPIED OR USED IN ANY MANNER WITHOUT THE PRIOR WRITTEN CONSENT OF ACCURATE INNOTECH INC.

Q'TY	CHKD: <i>Ricky</i> 2015/05/29
APPD:	



SCALE	SHEET	REV.	CUSTOMER DRAWING
3:1	1/1	A	