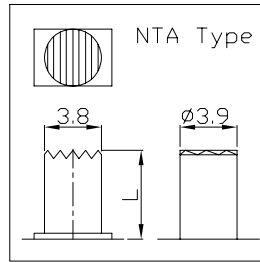
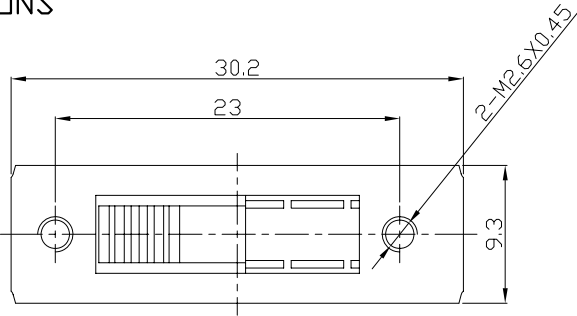




RoHS Compliant  
2002/95/EC

REV.	ECN.	NO.	APPD.

**DIMENSIONS**

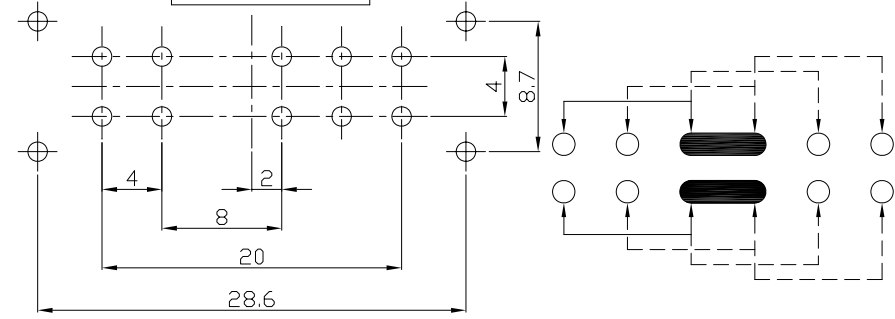


**MODEL CODE**

SS-24H01-GDB

Knob Type
GDB
NTA

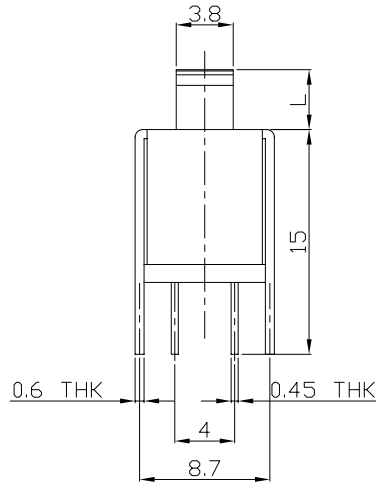
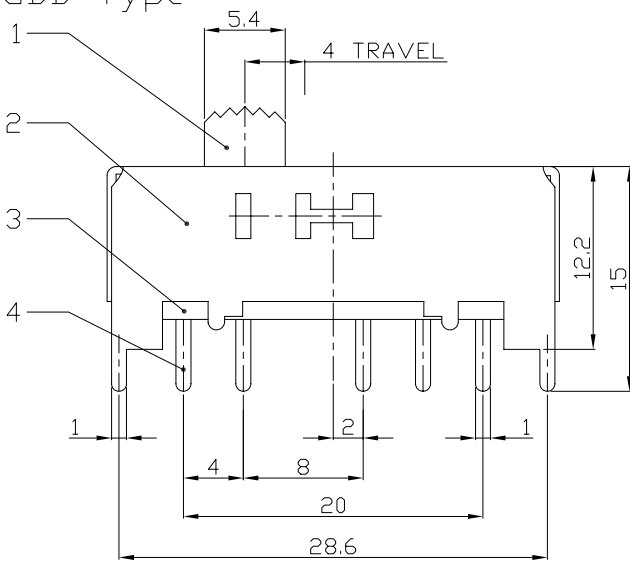
L(mm)
~



P.C.B LAYOUT  
BOTTOM VIEW

CIRCUIT DIAGRAM

**GDB Type**



**ELECTRO-MECHANICAL CHARACTERISTICS**

Refer to additional specifications

RATING	0.3A 50V DC
CIRCUIT	2P4T
CONTACT RESISTANCE	100mΩ MAX.
TIMING	SHORTING
TRAVEL	4mm
OPERATING FORCE	200±100gf
OPERATING LIFE(cycles)	10,000

NO.	PARTS	MATERIAL	Q'TY	FINISHING
8				
7	STEEL BALL	STEEL	2	NATURAL
6	SPRING	STEEL WIRE	1	NATURAL
5	CONTACT CLIP	PBS STRIP	2	Ag PLATED
4	TERMINAL	BRASS STRIP	10	Ag PLATED
3	BASE	PHENOLIC RESIN	1	NATURAL
2	FRAME	STEEL STRIP	1	Ni PLATED
1	KNOB	POM	1	BLACK

WITHIN 1.5mm: ±0.1mm  
OVER 1.5mm: ±0.2mm

THESE DRAWINGS AND SPECIFICATIONS ARE THE PROPERTY OF ACCURATE INNOTECH INC AND SHALL NOT BE REPRODUCED, COPIED OR USED IN ANY MANNER WITHOUT THE PRIOR WRITTEN CONSENT OF ACCURATE INNOTECH INC.

UNITS	雅安科技有限公司 ACCURATE INNOTECH INC.			
mm	TITLE: SLIDE SWITCH / VERTICAL		PART NO.: SS-24H01	
MAT'L	DR: Ricky 2015/10/20		DWG NO.: ADL-24H01	
SEE NOTE	CHKD: Ricky 2015/10/20		SCALE	SHEET
FINISH	APPD:		2:1	1/1
SEE NOTE			REV.	CUSTOMER DRAWING
Q'TY			A	