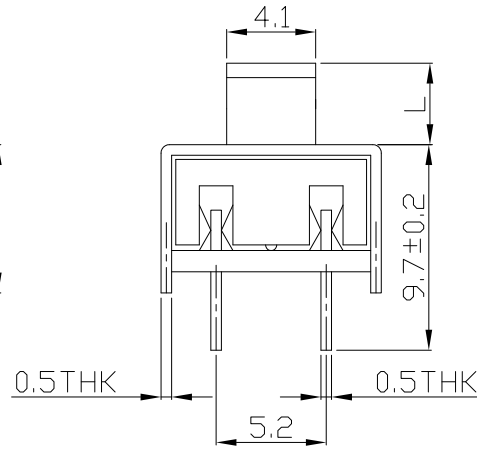
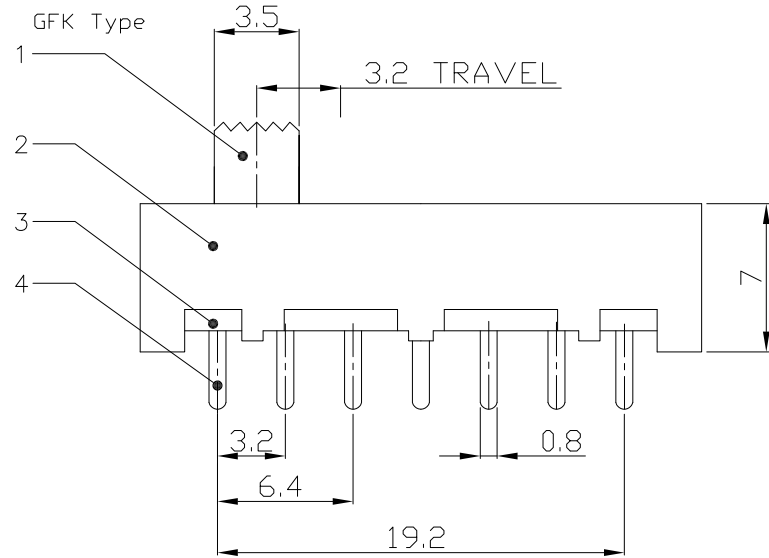
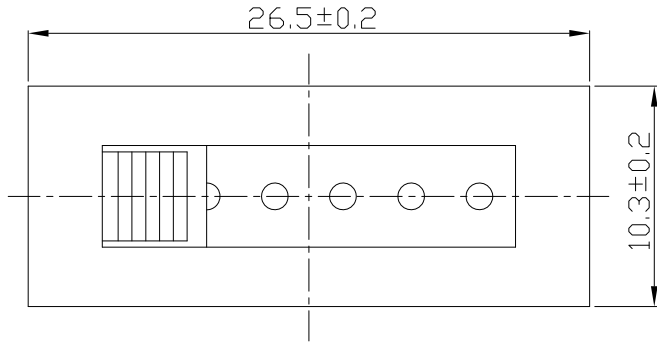




RoHS Compliant  
2002/95/EC

| REV. | ECN. | NO. | APPD. |
|------|------|-----|-------|
|      |      |     |       |
|      |      |     |       |

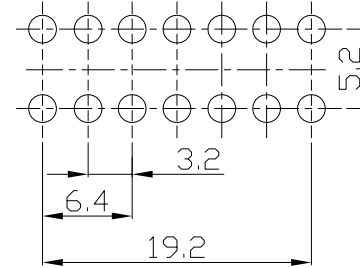
DIMENSIONS



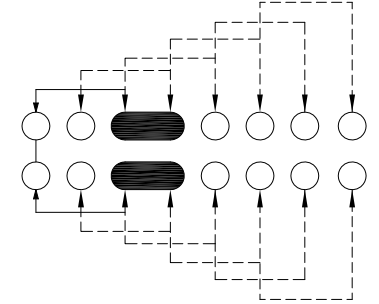
MODEL CODE

SS-26F01-GFK

| Knob Type | L(mm) |
|-----------|-------|
| GFK       | ~     |



P.C.B LAYOUT  
BOTTOM VIEW



CIRCUIT DIAGRAM

ELECTRO-MECHANICAL CHARACTERISTICS  
Refer to additional specifications

|                        |             |
|------------------------|-------------|
| RATING                 | 0.3A 50V DC |
| CIRCUIT                | 2P6T        |
| CONTACT RESISTANCE     | 100mΩ MAX.  |
| TIMING                 | SHORTING    |
| TRAVEL                 | 3.2mm       |
| OPERATING FORCE        | 250±100gf   |
| OPERATING LIFE(cycles) | 10,000      |

| NO. | PARTS      | MATERIAL        | Q'TY | FINISHING     |
|-----|------------|-----------------|------|---------------|
| 8   |            |                 |      |               |
| 7   | STEEL BALL | STAINLESS STEEL | 1    | NATURAL       |
| 6   | SPRING     | STEEL WIRE      | 1    | NATURAL       |
| 5   | CONTACT    | PBS STRIP       | 2    | Ag PLATED     |
| 4   | TERMINAL   | BRASS STRIP     | 14   | SILVER PLATED |
| 3   | BASE       | PHENOLIC RESIN  | 1    | NATURAL       |
| 2   | FRAME      | STEEL STRIP     | 1    | Ni PLATED     |
| 1   | KNOB       | POM             | 1    | BLACK         |

WITHIN 1.5mm: ±0.1mm  
OVER 1.5mm: ±0.2mm

THESE DRAWINGS AND SPECIFICATIONS ARE THE PROPERTY OF ACCURATE INNOTECH INC AND SHALL NOT BE REPRODUCED, COPIED OR USED IN ANY MANNER WITHOUT THE PRIOR WRITTEN CONSENT OF ACCURATE INNOTECH INC.

| UNITS  | mm       |
|--------|----------|
| MAT'L  | SEE NOTE |
| FINISH | SEE NOTE |
| Q'TY   |          |

|                                    |  |                       |                  |
|------------------------------------|--|-----------------------|------------------|
| 雅安科技有限公司<br>ACCURATE INNOTECH INC. |  |                       |                  |
| TITLE:<br>SLIDE SWITCH / VERTICAL  |  | PART NO.:<br>SS-26F01 |                  |
| DR: <i>Ricky</i> 2016/02/18        |  | DWG NO.:<br>ADL-26F01 |                  |
| CHKD: <i>Ricky</i> 2016/02/18      |  | SCALE                 | SHEET            |
| APPD:                              |  | 2:1                   | 1/1              |
|                                    |  | REV.                  | CUSTOMER DRAWING |
|                                    |  | A                     |                  |