



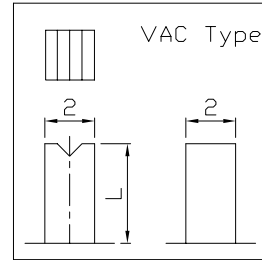
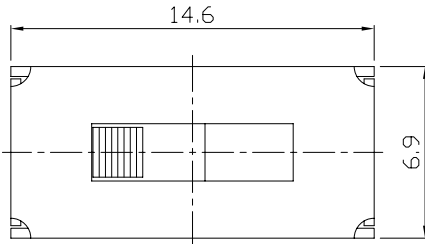
RoHS
Compliant
2002/95/EC

MODEL CODE

SS-42D02-GEE

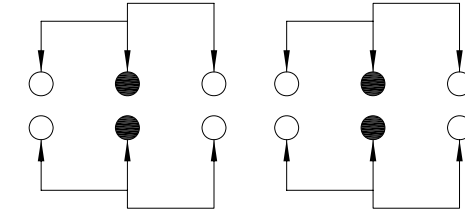
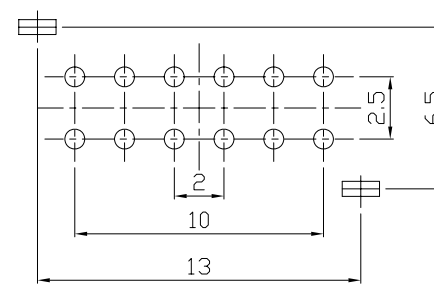
REV.	ECN. NO.	APPD.

DIMENSIONS



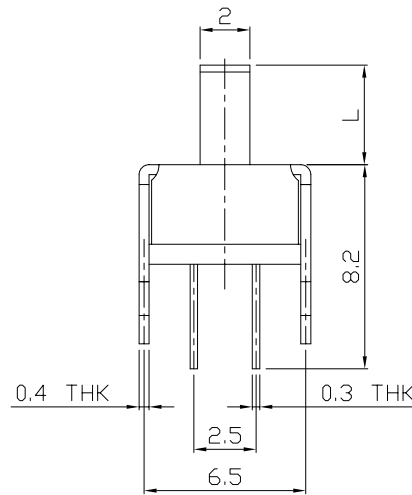
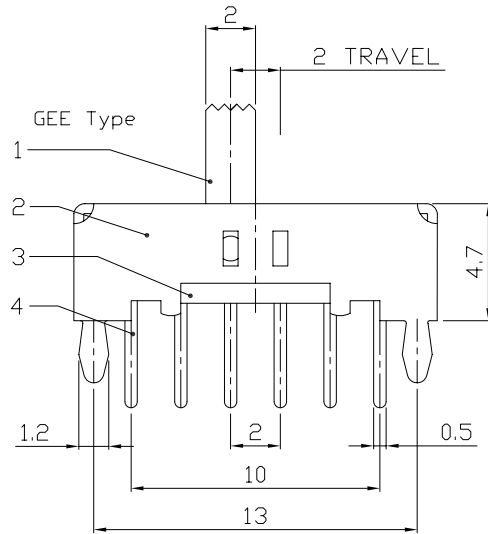
Knob Type
GEE
VAC

L(mm)
~



P.C.B LAYOUT
BOTTOM VIEW

CIRCUIT DIAGRAM



ELECTRO-MECHANICAL CHARACTERISTICS

Refer to additional specifications

RATING	0.3A 50V DC
CIRCUIT	4P2T
CONTACT RESISTANCE	30mΩ MAX.
TIMING	NON-SHORTING
TRAVEL	2mm
OPERATING FORCE	250±100gf
OPERATING LIFE(cycles)	10,000

NO.	PARTS	MATERIAL	Q'TY	FINISHING
8				
7				
6	SPRING PLATE	STAINLESS STEEL	2	NATURAL
5	CONTACT CLIP	PBS C5210R-EH	4	Ag CLAD
4	TERMINAL	BRASS STRIP	12	Ag PLATED OVER Ni PLATED
3	BASE	PHENOLIC RESIN	1	NATURAL
2	FRAME	STEEL STRIP	1	Ni PLATED
1	KNOB	POM	1	BLACK

WITHIN 1.5mm: ±0.1mm
OVER 1.5mm: ±0.2mm

UNITS mm

MAT'L SEE NOTE

FINISH SEE NOTE

Q'TY

THESE DRAWINGS AND SPECIFICATIONS ARE THE PROPERTY OF ACCURATE INNOTECH INC AND SHALL NOT BE REPRODUCED, COPIED OR USED IN ANY MANNER WITHOUT THE PRIOR WRITTEN CONSENT OF ACCURATE INNOTECH INC.

雅安科技有限公司
ACCURATE INNOTECH INC.

TITLE: SLIDE SWITCH / VERTICAL

PART NO.: SS-42D02

DR: Ricky 2015/06/10

DWG NO.: ADJ-42D02

CHKD: Ricky 2015/06/10

APPD:

SCALE	SHEET	REV.	CUSTOMER DRAWING
3:1	1/1	A	