



RoHS  
Compliant  
2002/95/EC

MODEL CODE

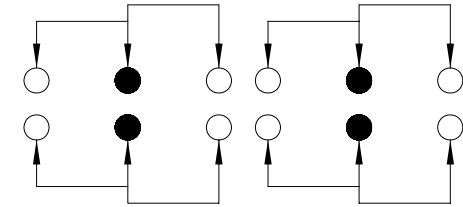
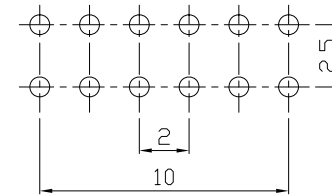
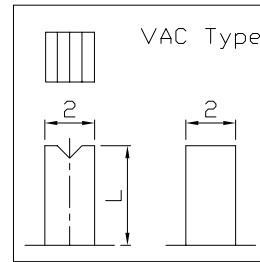
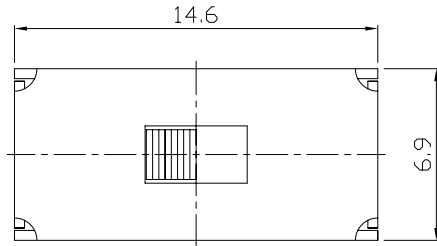
SS-42D03-GEE

Knob Type	GEE
	VAC

L(mm)	~
-------	---

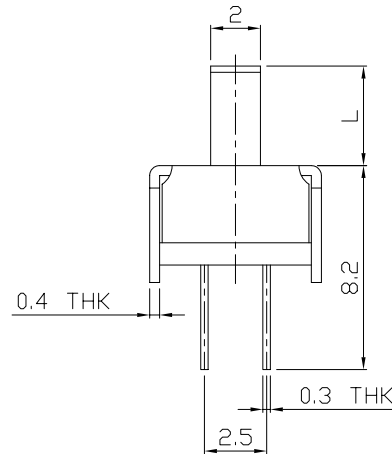
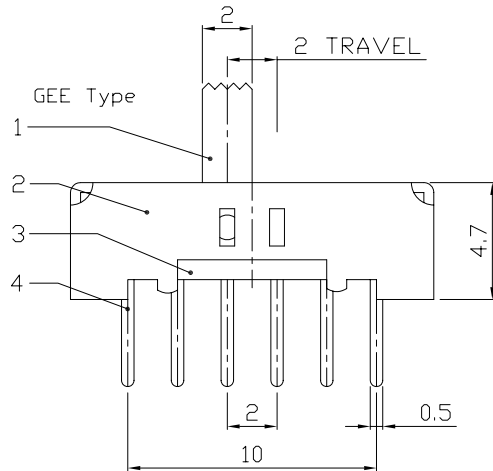
REV.	ECN.	NO.	APPD.

DIMENSIONS



P.C.B LAYOUT  
BOTTOM VIEW

CIRCUIT DIAGRAM



ELECTRO-MECHANICAL CHARACTERISTICS

Refer to additional specifications

RATING	0.3A 50V DC
CIRCUIT	4P2T
CONTACT RESISTANCE	30mΩ MAX.
TIMING	NON-SHORTING
TRAVEL	2mm
OPERATING FORCE	250±100gf
OPERATING LIFE(cycles)	10,000

8					WITHIN 1.5mm: ±0.1mm	UNITS	mm
7					OVER 1.5mm: ±0.2mm	MAT'L	
6	CONTACT CLIP	PBS C5210R-EH	4	Ag CLAD		SEE NOTE	
5	SPRING PLATE	SUS	2	NATURAL		SEE NOTE	
4	TERMINAL	BRASS STRIP	12	Ag PLATED OVER Ni PLATED		FINISH	
3	BASE	PHENOLIC RESIN	1	NATURAL		SEE NOTE	
2	FRAME	STEEL STRIP	1	Ni PLATED		Q'TY	
1	KNOB	PDM	1	BLACK			
NO.	PARTS	MATERIAL	Q'TY	FINISHING			

THESE DRAWINGS AND SPECIFICATIONS ARE THE PROPERTY OF ACCURATE INNOTECH INC AND SHALL NOT BE REPRODUCED, COPIED OR USED IN ANY MANNER WITHOUT THE PRIOR WRITTEN CONSENT OF ACCURATE INNOTECH INC.

**雅安科技有限公司**  
**ACCURATE INNOTECH INC.**

TITLE: SLIDE SWITCH / VERTICAL      PART NO.: SS-42D03

DR: *Ricky* 2015/06/10      DWG NO.: ADJ-42D03

CHKD: *Ricky* 2015/06/10

APPD:

SCALE	SHEET	REV.	CUSTOMER DRAWING
3:1	1/1	A	