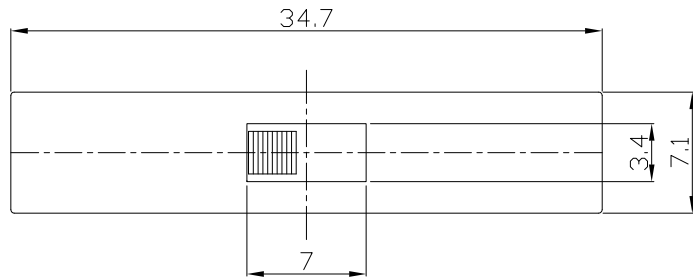




RoHS Compliant  
2002/95/EC

REV.	ECN. NO.	APPD.

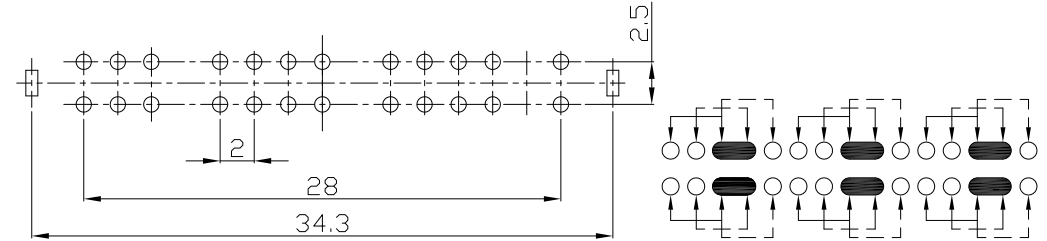
DIMENSIONS



MODEL CODE

SS-63D08-GFL

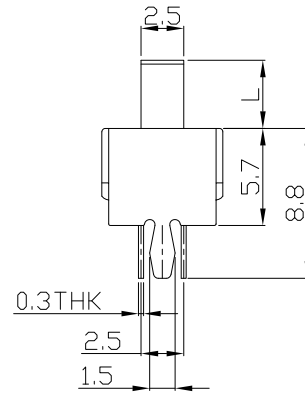
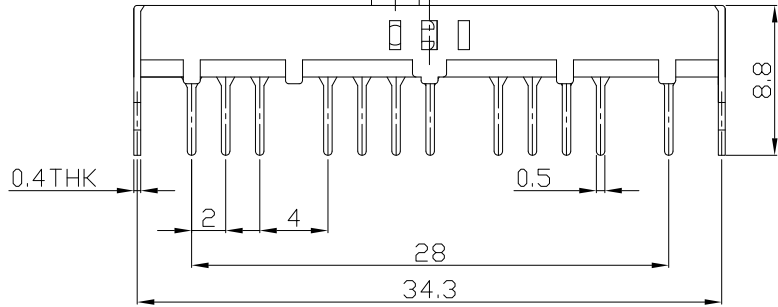
Knob Type	L(mm)
GFL	~



P.C.B LAYOUT  
BOTTOM VIEW

CIRCUIT DIAGRAM

GFL Type  
2.8  
2 TRAVEL



ELECTRO-MECHANICAL CHARACTERISTICS  
Refer to additional specifications

RATING	0.3A 50V DC
CIRCUIT	6P3T
CONTACT RESISTANCE	100mΩ MAX.
TIMING	SHORTING
TRAVEL	2mm
OPERATING FORCE	350±100gf
OPERATING LIFE(cycles)	10,000

NO.	PARTS	MATERIAL	Q'TY	FINISHING
8				
7				
6	SPRING PLATE	PBS STRIP	2	NATURAL
5	CONTACT CLIP	PBS C5210R-EH	6	Ag CLAD
4	TERMINAL	BRASS STRIP	24	Ag PLATED
3	BASE	PHENOLIC RESIN	1	NATURAL
2	FRAME	STEEL STRIP	1	Ni PLATED
1	KNOB	POM	1	BLACK

WITHIN 1.5mm: ±0.1mm  
OVER 1.5mm: ±0.2mm

UNITS mm

MAT'L SEE NOTE

FINISH SEE NOTE

Q'TY

THESE DRAWINGS AND SPECIFICATIONS ARE THE PROPERTY OF ACCURATE INNOTECH INC AND SHALL NOT BE REPRODUCED, COPIED OR USED IN ANY MANNER WITHOUT THE PRIOR WRITTEN CONSENT OF ACCURATE INNOTECH INC.

雅安科技有限公司  
ACCURATE INNOTECH INC.

TITLE: SLIDE SWITCH / VERTICAL  
PART NO.: SS-63D08

DR: Ricky 2016/02/18  
DWG NO.: ADL-63D08

CHKD: Ricky 2016/02/18

APPD:

SCALE	SHEET	REV.	CUSTOMER DRAWING
2:1	1/1	A	