

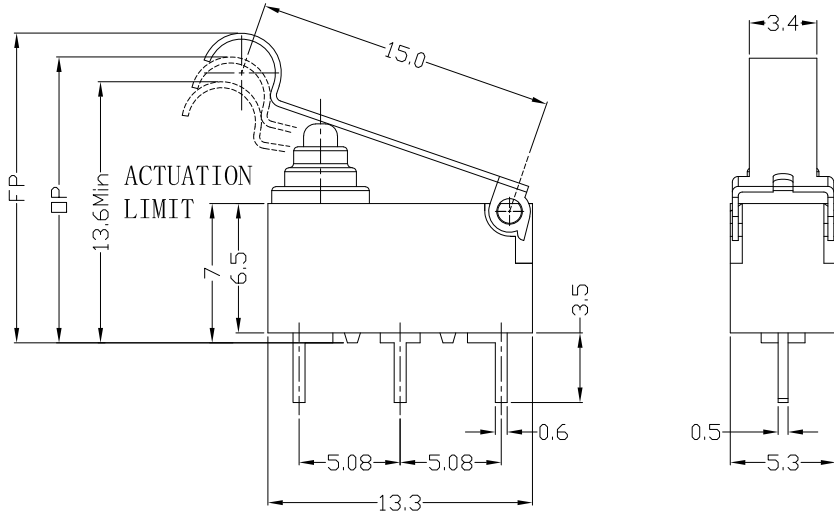


RoHS Compliant  
2002/95/EC



REV.	ECN.	NO.	APPD.

DIMENSIONS

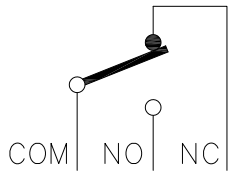


MODEL CODE

SW 3-02 X-XX-C3

1 2 3 4 5 6

- 1.Series : SW
- 2.Current Rating : 3=3A 125/250VAC ;  
2A/1A 12VDC/24VDC
- 3.Actuator : 00=Non-lever 01-99=Lever
- 4.Termination : see chart (P/N/B)
- 5.Operating Force : see chart
- 6.Contact type : C3=3Amps Contact



CIRCUIT DIAGRAM

1.Functional spec

1.1 Rated Voltage(AC)	125/250VAC
1.2 Rated Current(AC)	3A
1.3 Rated Voltage(DC)	12VDC/24VDC
1.4 Rated Current(DC)	2A/1A
1.5 Contact Resistance	≤100mΩ(Initial value)
1.6 Operating Force	50(70gf Max)
1.7 Free Position	16.0mm Max
1.8 Operating Position	14.8±0.8mm

2.Reliable Rating

2.1 Mechanical Life	1,000,000 CYCLES
2.2 Electrical Life	10,000 CYCLES
2.3 Insulation Resistance	≥100MΩ DC500V(Initial value)
2.4 Withstand Voltage	AC600V 1 minute(Initial value)
2.5 Soldering Technic	Hand Soldering
2.6 Operating Temper	-25°C ~ +85°C
2.7 Ambient Humidity Used	<85%RH

Tolerance:±0.2	UNITS mm	雅安科技有限公司 ACCURATE INNOTECH INC.				
	MAT'L					
	SEE NOTE	TITLE:	PART NO.:			
	FINISH	MICRO SWITCH Waterproof SW3 SERIES	SW3-02P-XX-C3			
	SEE NOTE	DR: Ricky 2017/3/21	DWG NO.:			
	Q'TY	CHKD: Ricky 2017/3/21	ATD-02X-XX-C3			
THESE DRAWINGS AND SPECIFICATIONS ARE THE PROPERTY OF ACCURATE INNOTECH INC AND SHALL NOT BE REPRODUCED, COPIED OR USED IN ANY MANNER WITHOUT THE PRIOR WRITTEN CONSENT OF ACCURATE INNOTECH INC.		APPD:	SCALE	SHEET	REV.	CUSTOMER DRAWING
			1:1	1/2	A	

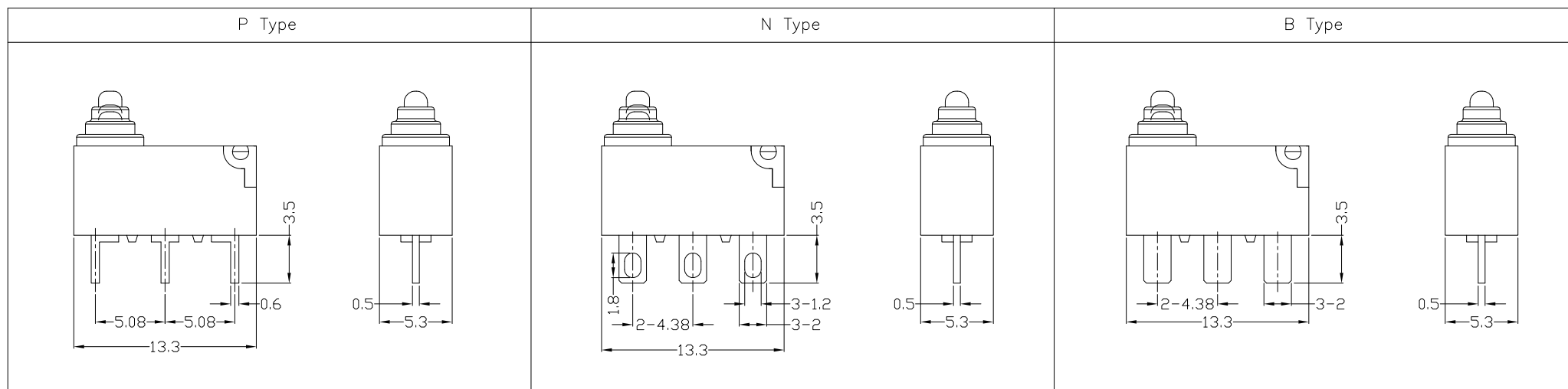


RoHS Compliant  
2002/95/EC

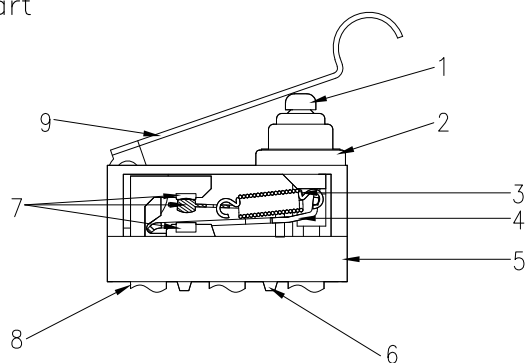


REV.	ECN.	NO.	APPD.

### Terminal Type



### Structure chart



### Material list

NO.	PARTS	MATERIAL	Q'TY	FINISHING	UNITS	mm	雅安科技有限公司 ACCURATE INNOTECH INC.					
9	Lever	SUS	1		Tolerance:±0.2	mm	SEE NOTE	TITLE: MICRO SWITCH Waterproof SW3 SERIES		PART NO.: SW3-02X-XX-C3		
8	Terminal	C2680	3					SEE NOTE	DR: Ricky 2017/3/21		DWG NO.: ATD-02X-XX-C3	
7	Contact	Silver alloy	3						SEE NOTE	CHKD: Ricky 2017/3/21		SCALE: 1:1
6	Base	Nylon	1					APPD:				
5	Upper Housing	PBT	1					THESE DRAWINGS AND SPECIFICATIONS ARE THE PROPERTY OF ACCURATE INNOTECH INC AND SHALL NOT BE REPRODUCED, COPIED OR USED IN ANY MANNER WITHOUT THE PRIOR WRITTEN CONSENT OF ACCURATE INNOTECH INC.				
4	Fixed Rod	SUS	1									
3	Spring	SUS	1									
2	Cap	RUBBER	1									
1	Button	Nylon	1									