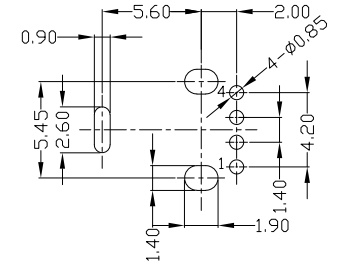
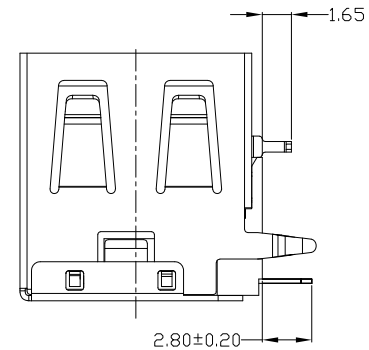
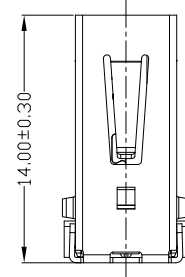
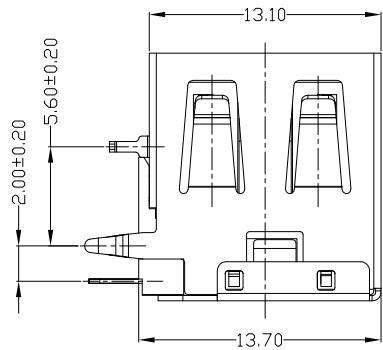
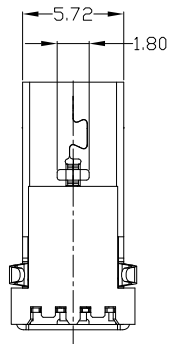
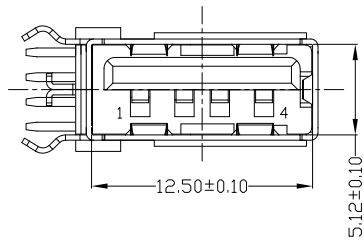


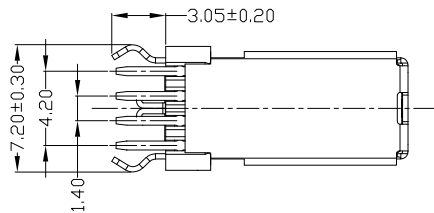


RoHS
Compliant
2002/95/EC

REV.	ECN. NO.	APPD.



RECOMMENDED PCB LAYOUT



NOTES:

1. ELECTRICAL:

- 1) VOLTAGE CURRENT RATING: 2AMP, 30V AC;
- 2) INSULATION RESISTANCE: 1000M ΩMIN;
- 3) CONTACT RESISTANCE: 30m ΩMAX;
- 4) WITHSTANDING VOLTAGE: 500V AC;
- 5) OPERATING TEMPERATURE: -55°C TO +85°C.

2. Mechanical:

- 1) Mating Force: 35N MAX
- 2) Unmating Force: 10N MIN.

3. NOTE: 1. DIMENSIONS MARKED "▼" TO BE CHECKED BY Q.C & IPQC.

4. PART NO.

USAF-04*N-1*C69

- 1: Au 1U"
- 6: Au 30U"
- W: WHITE
- B: BLACK
- 1: PBT
- 2: PA6T
- 3: PA9T
- 4: LCP

Bill of materials:

NO	PARTS	MATERIAL	QTY	FINISHING	UNITS	mm	雅安科技有限公司 ACCURATE INNOTECH INC.				
4	BACK COVER	COPPER ALLOY	1	PLATED NICKEL	.X ±0.30	.X' ±3'	SEE NOTE	TITLE: USB AF 90° DIP 侧插三只脚 无卷边无缺口		PART NO.: USAF-04*N-1*C69	
3	HOUSING	PBT+30%GF	1	UL94V-0	.XX ±0.20			DR: Ricky 2022/12/06		DWG NO.: AII-C69	
2	SHELL	COPPER ALLOY	1	PLATED NICKEL	.XXX ±0.10			CHKD: Ricky 2022/12/06		SCALE SHEET REV. CUSTOMER 1:1 1/1 B DRAWING	
1	TERMINAL	COPPER ALLOY	4	PLATED GOLD/TIN	THESE DRAWINGS AND SPECIFICATIONS ARE THE PROPERTY OF ACCURATE INNOTECH INC AND SHALL NOT BE REPRODUCED, COPIED OR USED IN ANY MANNER WITHOUT THE PRIOR WRITTEN CONSENT OF ACCURATE INNOTECH INC.		Q'TY	APPD:			