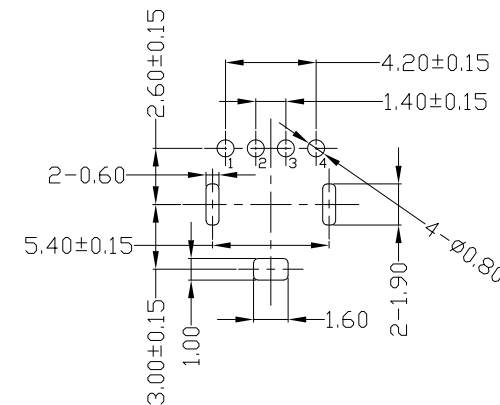
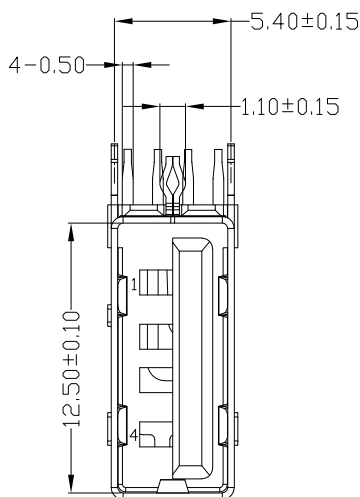
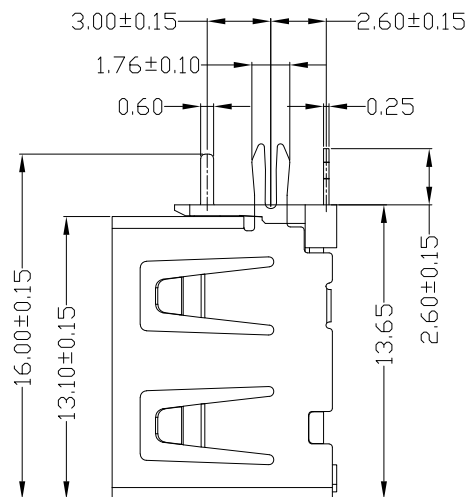
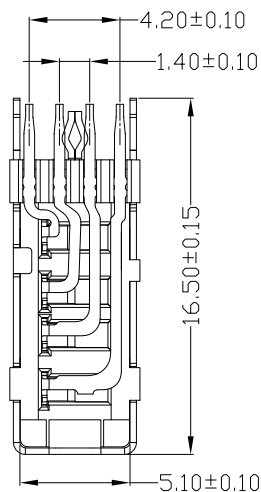
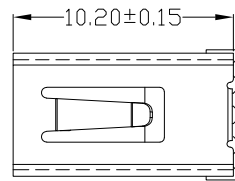


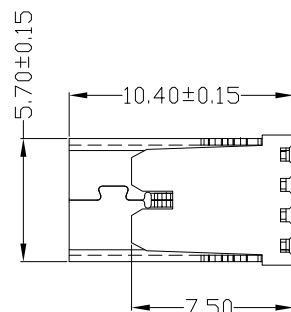


RoHS Compliant
2002/95/EC

REV.	ECN.	NO.	APPD.



RECOMMENDED PCB LAYOUT
GENERAL TOLERANCES: ±0.05



NOTES:

1. ELECTRICAL:

- VOLTAGE CURRENT RATING: 2.0AMP,30V AC;
- INSULATION RESISTANCE: 1000MΩ MIN;
- CONTACT RESISTANCE: 30mΩ MAX;
- WITHSTANDING VOLTAGE: 500V AC;
- OPERATING TEMPERATURE:-30°C TO +85°C.

2. Mechanical:

- Mating Force: 35N MAX
- Unmating Force: 10N MIN.

- DIMENSIONS MARKED "▼" TO BE CHECKED BY Q.C & IPQC.

4.PART NO.

USAF-041N-1XCJ59

1:Au 1U*
6:Au 30U*

W:WHITE
B:BLACK
1:PBT
2:PA6T
3:PA9T
4:LCP

Bill of materials:

NO	PARTS	MATERIAL	QTY	FINISHING	UNITS	mm	雅安科技有限公司 ACCURATE INNOTECH INC.						
3	HOUSING	PBT+30%GF	1		X.	±0.25	X.*	±5°	MAT'L	TITLE: USB AF 侧插短体10.4 外鱼叉脚 内弯型脚 无边		PART NO.:	
2	SHELL	COPPER ALLOY / SPCC	1	PLATED NICKEL	X	±0.20	.X*	±2°	SEE NOTE	DR: Ricky 2020/09/04		USAF-04XN-1XCJ59	
1	TERMINAL	COPPER ALLOY	4	PLATED GOLD/TIN	XX	±0.15	.XX*	±1°	FINISH	CHKD: Ricky 2020/09/04		DWG NO.:	
					XXX	±0.10	.XXX*	±0.5°	SEE NOTE	APPD:		AII-CJ59	
					THESE DRAWINGS AND SPECIFICATIONS ARE THE PROPERTY OF ACCURATE INNOTECH INC AND SHALL NOT BE REPRODUCED, COPIED OR USED IN ANY MANNER WITHOUT THE PRIOR WRITTEN CONSENT OF ACCURATE INNOTECH INC			Q'TY	SCALE		SHEET	REV.	CUSTOMER DRAWING
										1:1	1/1	B	