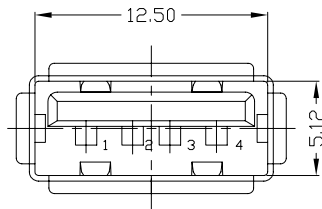
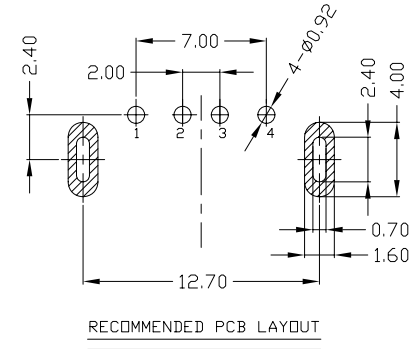
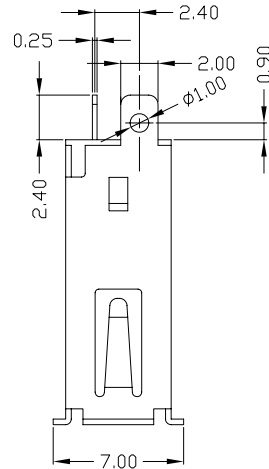
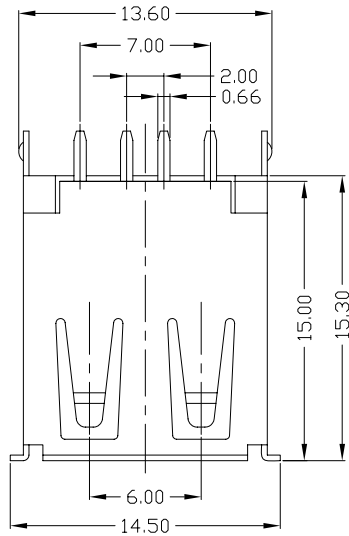




RoHS
Compliant
2002/95/EC

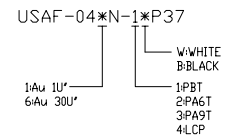
REV.	ECN.	NO.	APPD.



NOTES:

- ELECTRICAL:
 - VOLTAGE CURRENT RATING: 2AMP, 30V AC;
 - INSULATION RESISTANCE: 1000M ΩMIN;
 - CONTACT RESISTANCE: 30m ΩMAX;
 - WITHSTANDING VOLTAGE: 500V AC;
 - OPERATING TEMPERATURE: -55°C TO +85°C.
- Mechanical:
 - Mating Force: 35N MAX
 - Unmating Force: 10N MIN.
- DIMENSIONS MARKED "▼" TO BE CHECKED BY Q.C & IPQC.

4. PART NO.



Bill of materials:

NO	PARTS	MATERIAL	QTY	FINISHING	UNITS	MAT'L	FINISH	Q'TY	TITLE:	PART NO.:	DR:	DWG NO.:	SCALE	SHEET	REV.	CUSTOMER DRAWING
3	HOUSING	PBT+30%GF	1	UL94V-0	X. ±0.35	.X' ±2'	SEE NOTE		雅安科技有限公司	USAF-04*N-1*P37	gan	AII-P37	1:1	1/1	B	
2	SHELL	COPPER ALLOY	1	PLATED NICKEL	.X ±0.3	.X' ±1'	SEE NOTE		ACCURATE INNOTECH INC.	USAF-04*N-1*P37	gan	AII-P37	1:1	1/1	B	
1	TERMINAL	COPPER ALLOY	4	PLATED GOLD/TIN	.XX ±0.25	.XX'	SEE NOTE		USB AF 180° 插板长体(直脚)	USAF-04*N-1*P37	gan	AII-P37	1:1	1/1	B	
					.XXX ±0.15	.XXX'	SEE NOTE		DR: gan 2014/09/26		gan					
									CHKD: gan 2014/09/26							
									APPD: gan 2014/09/26							

THESE DRAWINGS AND SPECIFICATIONS ARE THE PROPERTY OF ACCURATE INNOTECH INC AND SHALL NOT BE REPRODUCED, COPIED OR USED IN ANY MANNER WITHOUT THE PRIOR WRITTEN CONSENT OF ACCURATE INNOTECH INC.

