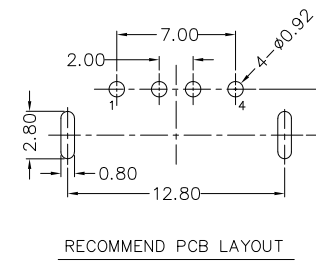
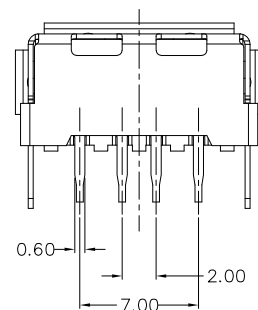
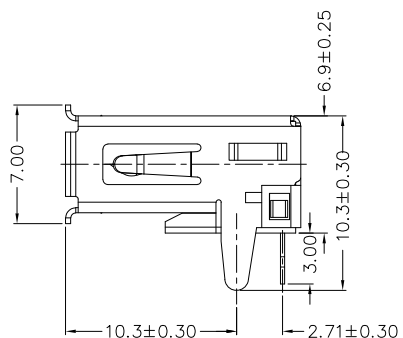
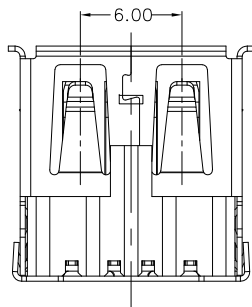
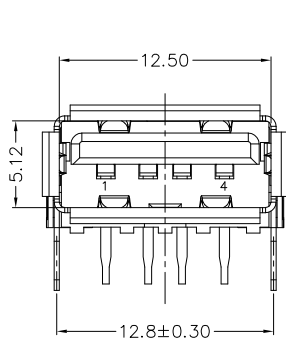
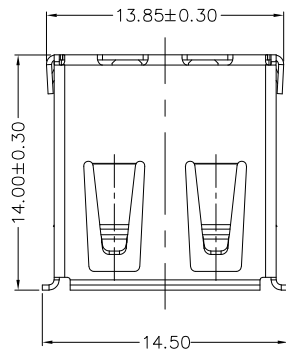




RoHS  
Compliant  
2002/95/EC

REV.	ECN.	NO.	APPD.



NOTES:

- ELECTRICAL:
  - VOLTAGE CURRENT RATING: 2AMP, 30V AC;
  - INSULATION RESISTANCE: 1000M Ω MIN;
  - CONTACT RESISTANCE: 30m Ω MAX;
  - WITHSTANDING VOLTAGE: 500V AC;
  - OPERATING TEMPERATURE: -55°C TO +85°C.
- Mechanical:
  - Mating Force: 35N MAX
  - Unmating Force: 10N MIN.
- NOTE: 1. DIMENSIONS MARKED "▼" TO BE CHECKED BY Q.C & IPQC.

4. PART NO.

USAF-04\*N-1\*R61  
 1: Au 1U"  
 6: Au 30U"  
 W: WHITE  
 B: BLACK  
 1: PBT  
 2: PA6T  
 3: PA9T  
 4: LCP

Bill of materials:

NO	PARTS	MATERIAL	QTY	FINISHING	TOLERANCES	ANGLES	UNITS	雅安科技有限公司 ACCURATE INNOTECH INC.						
					.X ±0.30	±3'	mm							
3	HOUSING	PBT	1	UL94V-0	.XX ±0.20		MAT'L	TITLE:	PART NO.:					
2	SHELL	COPPER ALLOY	1	PLATED NICKEL	.XXX ±0.10		SEE NOTE	USB AF 90° DIP T型外扣直脚	USAF-04*N-1*R61					
1	TERMINAL	COPPER ALLOY	4	PLATED GOLD/TIN	THESE DRAWINGS AND SPECIFICATIONS ARE THE PROPERTY OF ACCURATE INNOTECH INC. AND SHALL NOT BE REPRODUCED, COPIED OR USED IN ANY MANNER WITHOUT THE PRIOR WRITTEN CONSENT OF ACCURATE INNOTECH INC.			DR:	2021/05/17		DWG NO.:	All-R61		
								Q'TY	CHKD:	Ricky 2021/05/17		SCALE	SHEET	REV.
								APPD:	Ricky 2021/05/17		1:1	1/1	B	DRAWING