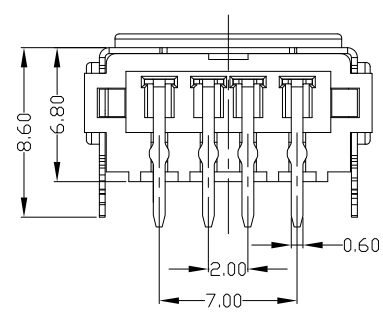
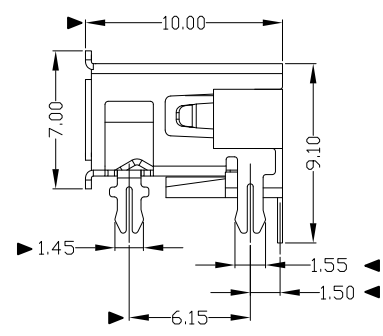
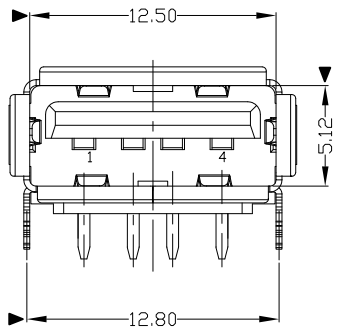
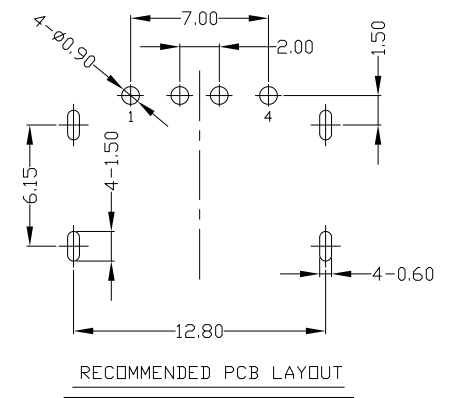
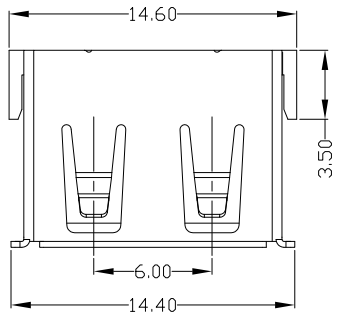




RoHS  
Compliant  
2002/95/EC

REV	LTR	DESCRIPTION	DATE	REVISER	APPD



- NOTES:
- ELECTRICAL:
    - VOLTAGE CURRENT RATING: 2AMP, 30V AC;
    - INSULATION RESISTANCE: 1000MΩ, MIN;
    - CONTACT RESISTANCE: 30mΩ MAX;
    - WITHSTANDING VOLTAGE: 500V AC;
    - OPERATING TEMPERATURE: -55°C TO +85°C.
  - Mechanical:
    - Mating Force: 35N MAX
    - Unmating Force: 10N MIN.
  - NOTE: 1. DIMENSIONS MARKED "▼" TO BE CHECKED BY Q.C & IPQC.
  - PART NO.

USAF-04\*N-1\*R624

1: Au 1U\*  
6: Au 30U\*

W: WHITE  
B: BLACK

1: PBT  
2: PA6T  
3: PA9T  
4: LCP

Bill of materials:

NO	PARTS	MATERIAL	QTY	FINISHING	X.	X.*	UNITS
3	HOUSING	PBT+30%GF	1	UL94V-0	.X ±0.35	X.* ±2'	mm
2	SHELL	COPPER ALLOY/SPCC	1	PLATED NICKEL	.X ±0.30	.X.* ±1'	MAT'L
1	TERMINAL	COPPER ALLOY	4	PLATED GOLD/TIN	.XX ±0.25	.XX.*	SEE NOTE
					.XXX ±0.15	.XXX.*	FINISH
					<small>THESE DRAWINGS AND SPECIFICATIONS ARE THE PROPERTY OF ACCURATE INNOTECH INC AND SHALL NOT BE REPRDUCED, COPIED OR USED IN ANY MANNER WITHOUT THE PRIOR WRITTEN CONSENT OF ACCURATE INNOTECH INC.</small>		SEE NOTE
							Q'TY

**雅安科技有限公司**  
**ACCURATE INNOTECH INC.**

TITLE: USB AF DIP 90度 10.0四只脚插板	PART NO.: USAF-04*N-1*R624
DR: gan 2013/5/9	DWG NO.: AII-R624
CHKD: gan 2013/5/9	SCALE SHEET REV. CUSTOMER 1:1 1/1 B DRAWING
APPD:	

