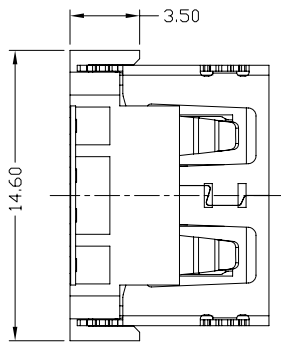
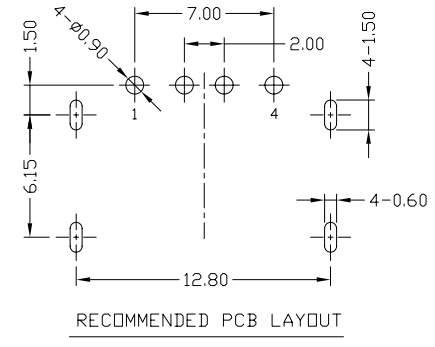
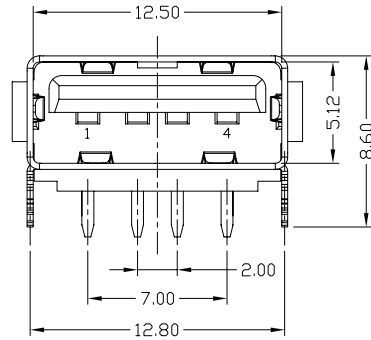
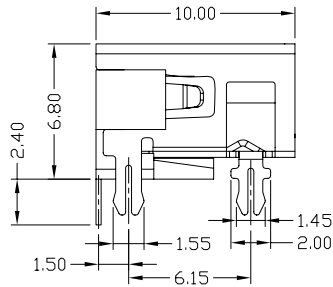




RoHS
Compliant
2002/95/EC

REV.	ECN.	NO.	APPD.



NOTES:

- ELECTRICAL:
 - VOLTAGE CURRENT RATING: 2AMP, 30V AC;
 - INSULATION RESISTANCE: 1000MΩ MIN;
 - CONTACT RESISTANCE: 30mΩ MAX;
 - WITHSTANDING VOLTAGE: 500V AC;
 - OPERATING TEMPERATURE: -55°C TO +85°C.
- Mechanical:
 - Mating Force: 35N MAX
 - Unmating Force: 10N MIN.
- NOTE: 1. DIMENSIONS MARKED "▼"
TO BE CHECKED BY Q.C & IPQC.

4. PART NO.

USAF-04*N-1*R632

1:Au 1U*
6:Au 30U*

W: WHITE
B: BLACK

1: PBT
2: PA6T
3: PA9T
4: LCP

Bill of materials:

E	3	HOUSING	PBT+30%GF	1	UL94V-0	X. ±0.35	X.* ±2*	UNITS	雅安科技有限公司 ACCURATE INNOTECH INC.
	2	SHELL	COPPER ALLOY/SPCC	1	PLATED NICKEL	.X ±0.3	.X* ±1*	MAT'L	
	1	TERMINAL	COPPER ALLOY	4	PLATED GOLD/TIN	.XX ±0.25	.XX*	SEE NOTE	
	NO	PARTS	MATERIAL	QTY	FINISHING	.XXX ±0.15	.XXX*	FINISH	
<small>THESE DRAWINGS AND SPECIFICATIONS ARE THE PROPERTY OF ACCURATE INNOTECH INC AND SHALL NOT BE REPRODUCED, COPIED OR USED IN ANY MANNER WITHOUT THE PRIOR WRITTEN CONSENT OF ACCURATE INNOTECH INC.</small>									TITLE: USB AF DIP90° 10.0四只脚脚高8.6 无卷边
<small>DR: gan 2016/04/07</small>									PART NO.: USAF-04*N-1*R632
<small>CHKD: gan 2016/04/07</small>									DWG NO.: AII-R632
<small>APPD:</small>									SCALE: 1:1 SHEET: 1/1 REV.: B CUSTOMER DRAWING