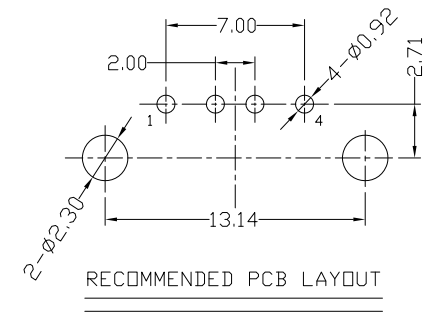
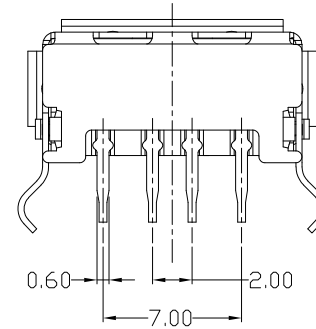
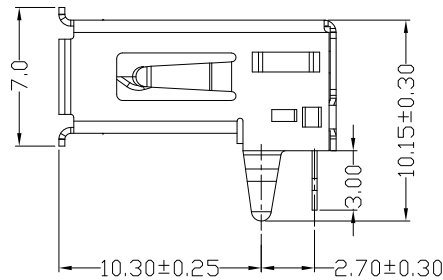
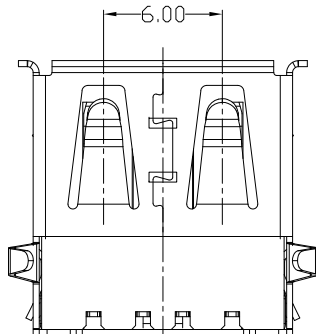
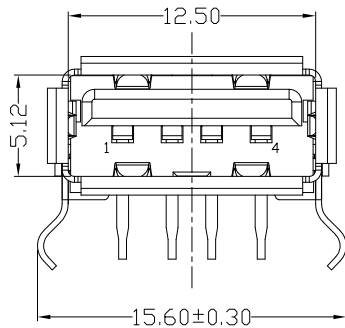
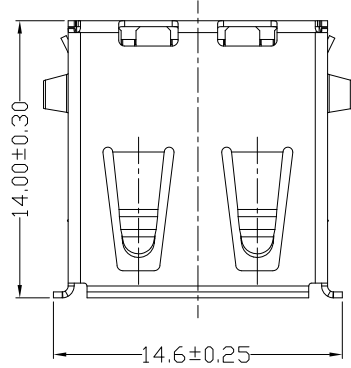




RoHS  
Compliant  
2002/95/EC

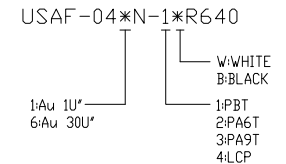
REV.	ECN.	NO.	APPD.



NOTES:

- ELECTRICAL:
  - VOLTAGE CURRENT RATING: 2AMP, 30V AC;
  - INSULATION RESISTANCE: 1000MΩMIN;
  - CONTACT RESISTANCE: 30mΩMAX;
  - WITHSTANDING VOLTAGE: 500V AC;
  - OPERATING TEMPERATURE: -55°C TO +85°C.
- Mechanical:
  - Mating Force: 35N MAX
  - Unmating Force: 10N MIN.
- DIMENSIONS MARKED "▼" TO BE CHECKED BY Q.C & IPQC.

4. PART NO.



Bill of materials:

NO	PARTS	MATERIAL	QTY	FINISHING
3	HOUSING	PBT	1	UL94V-0
2	SHELL	COPPER ALLOY/SPCC	1	PLATED NICKEL
1	TERMINAL	COPPER ALLOY	4	PLATED GOLD/TIN

TOLERANCES	ANGLES	UNITS	雅安科技有限公司 ACCURATE INNOTECH INC.			
.X ±0.30	±3°	mm	TITLE: USB AF 90度 DIP 一型内扣弯脚		PART NO.: USAF-04*N-1*R640	
.XX ±0.20		MAT'L	DR: <i>Ricky</i> 2021/05/19		DWG NO.: AII-R640	
.XXX ±0.10		SEE NOTE	CHKD: <i>Ricky</i> 2021/05/19		SCALE	SHEET
THESE DRAWINGS AND SPECIFICATIONS ARE THE PROPERTY OF ACCURATE INNOTECH INC AND SHALL NOT BE REPRODUCED, COPIED OR USED IN ANY MANNER WITHOUT THE PRIOR WRITTEN CONSENT OF ACCURATE INNOTECH INC.			Q'TY	APPD:	1:1	1/1
					REV.	CUSTOMER DRAWING
					B	