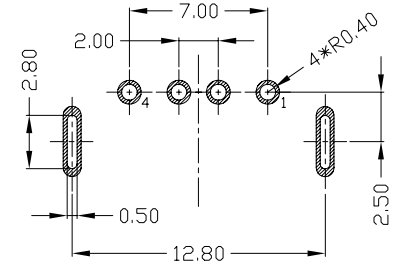
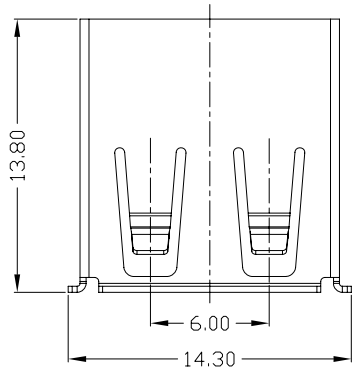


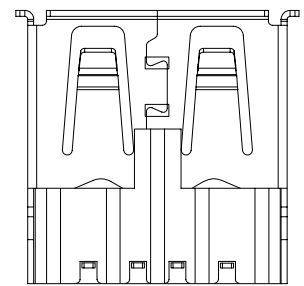
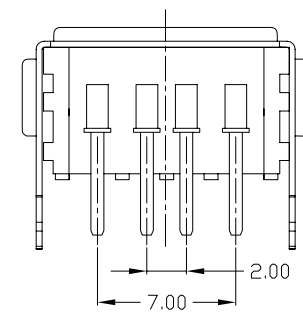
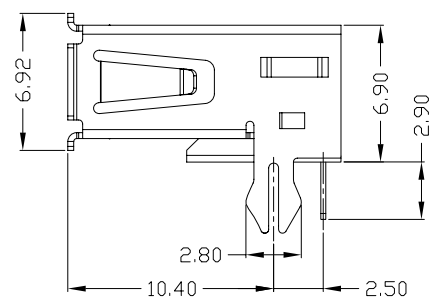
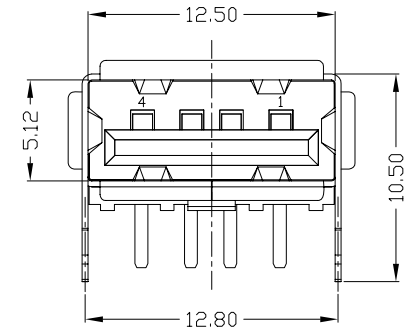


RoHS
Compliant
2002/95/EC

REV.	ECN.	NO.	APPD.



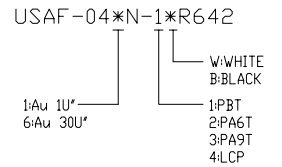
RECOMMENDED PCB LAYOUT



NOTES:

- ELECTRICAL:
 - VOLTAGE CURRENT RATING: 2AMP, 30V AC;
 - INSULATION RESISTANCE: 1000MΩMIN;
 - CONTACT RESISTANCE: 30mΩMAX;
 - WITHSTANDING VOLTAGE: 500V AC;
 - OPERATING TEMPERATURE: -55°C TO +85°C.
- Mechanical:
 - Mating Force: 35N MAX
 - Unmating Force: 10N MIN.
- DIMENSIONS MARKED "▼" TO BE CHECKED BY Q.C & IPQC.

4. PART NO.



Bill of materials:

NO	PARTS	MATERIAL	QTY	FINISHING	X. ±0.35	X.' ±2'	UNITS	雅安科技有限公司 ACCURATE INNOTECH INC.
					.X ±0.3	.X' ±1'	mm	
3	HOUSING	PBT+30%GF	1	UL94V-0	.XX ±0.25	.XX'	MAT'L	TITLE: USB AF DIP 90度 反向鱼叉脚 单层 T型 无后盖
2	SHELL	COPPER ALLOY/SPCC/ STAINLESS STEEL	1	PLATED NICKEL	.XXX ±0.15	.XXX'	SEE NOTE	PART NO.: USAF-04*N-1*R642
1	TERMINAL	COPPER ALLOY	4	PLATED GOLD/TIN			FINISH	DR: gan 2016/9/20
							SEE NOTE	CHKD: gan 2016/9/20
							Q'TY	APPD: gan 2016/9/20
								SCALE: 1:1
								SHEET: 1/1
								REV: B
								CUSTOMER DRAWING

THESE DRAWINGS AND SPECIFICATIONS ARE THE PROPERTY OF ACCURATE INNOTECH INC AND SHALL NOT BE REPRODUCED, COPIED OR USED IN ANY MANNER WITHOUT THE PRIOR WRITTEN CONSENT OF ACCURATE INNOTECH INC.

