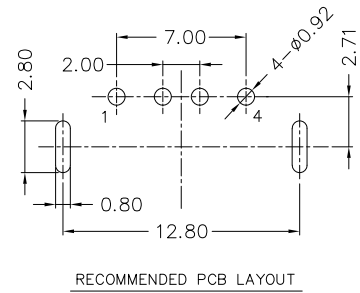
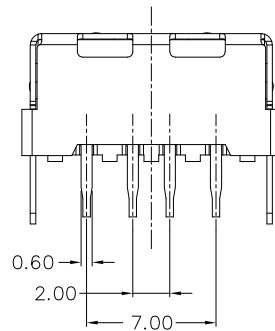
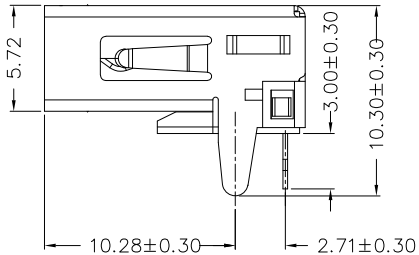
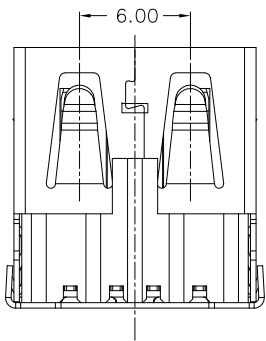
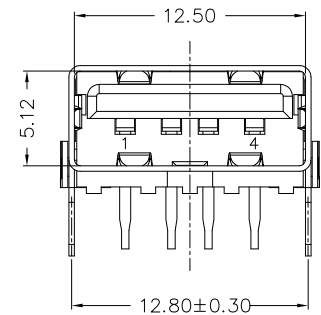
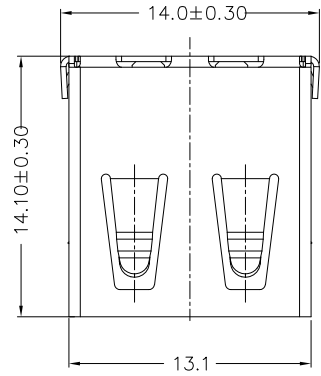




RoHS  
Compliant  
2002/95/EC

REV.	ECN. NO.	APPD.



NOTES:

1. ELECTRICAL:
  - 1) VOLTAGE CURRENT RATING: 2AMP,30V AC;
  - 2) INSULATION RESISTANCE: 1000M Ω MIN;
  - 3) CONTACT RESISTANCE: 30m Ω MAX;
  - 4) WITHSTANDING VOLTAGE: 500V AC;
  - 5) OPERATING TEMPERATURE: -55°C TO +85°C .
2. Mechanical:
  - 1) Mating Force: 35N MAX
  - 2) Unmating Force: 10N MIN.
3. DIMENSIONS MARKED "▼" TO BE CHECKED BY Q.C & IPQC.

4.PART NO.

USAF-04\*N-1\*R68

1: Au 1U"  
6: Au 30U"

W: WHITE  
B: BLACK

1: PBT  
2: PA6T  
3: PA9T  
4: LCP

Bill of materials:

3	HOUSING	PBT	1	UL94V-0
2	SHELL	COPPER ALLOY	1	PLATED NICKEL
1	TERMINAL	COPPER ALLOY	4	PLATED GOLD/TIN
NO	PARTS	MATERIAL	QTY	FINISHING

TOLERANCES	ANGLES	UNITS
.X ±0.30	±3°	mm
.XX ±0.20		MAT'L
.XXX ±0.10		SEE NOTE
		FINISH
		SEE NOTE
		Q'TY

THESE DRAWINGS AND SPECIFICATIONS ARE THE PROPERTY OF ACCURATE INNOTECH INC AND SHALL NOT BE REPRODUCED, COPIED OR USED IN ANY MANNER WITHOUT THE PRIOR WRITTEN CONSENT OF ACCURATE INNOTECH INC.

雅安科技有限公司 ACCURATE INNOTECH INC.			
TITLE: USB AF 90度 DIP T型 外扣直脚無捲邊		PART NO.: USAF-04*N-1*R68	
DR: Ricky 2021/05/17		DWG NO.: All-R68	
CHKD: Ricky 2021/05/17		SCALE	SHEET
APPD:	1:1	1/1	REV. B
			CUSTOMER DRAWING

A

B

C

D

E

1

2

3

4

5

6

7

1

2

3

4

5

6

7