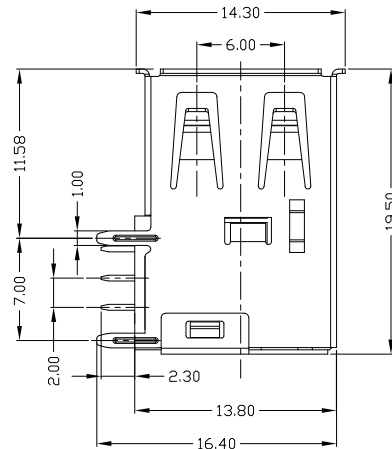
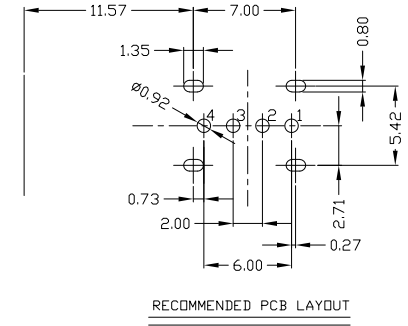
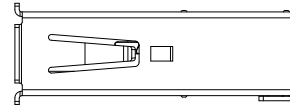
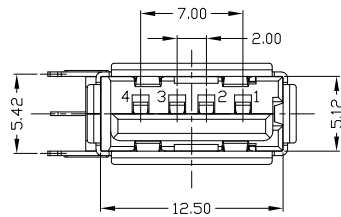
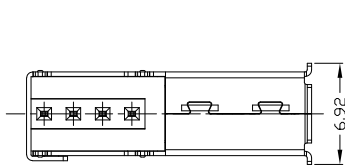
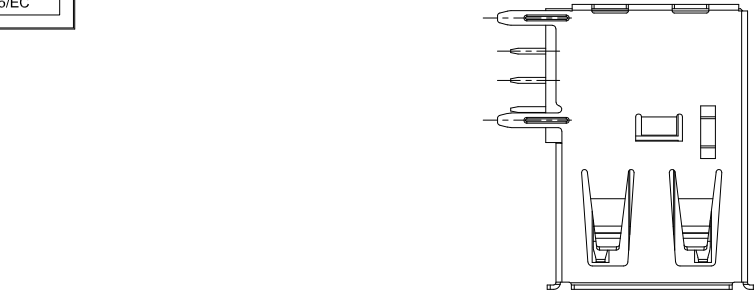




RoHS
Compliant
2002/95/EC

| REV. | ECN. | NO. | APPD. |
|------|------|-----|-------|
| | | | |
| | | | |
| | | | |



NOTES:

- ELECTRICAL:
 - VOLTAGE CURRENT RATING: 2AMP, 30V AC;
 - INSULATION RESISTANCE: 1000MΩMIN;
 - CONTACT RESISTANCE: 30mΩMAX;
 - WITHSTANDING VOLTAGE: 500V AC;
 - OPERATING TEMPERATURE: -55°C TO +85°C.
- Mechanical:
 - Mating Force: 35N MAX
 - Unmating Force: 10N MIN.
- DIMENSIONS MARKED "▼" TO BE CHECKED BY Q.C & IPQC.

4. PART NO.

USAF-04*N-4*CZ63

1: Au 1U*
6: Au 30U*

W: WHITE
B: BLACK

1: PBT
2: PA6T
3: PA9T
4: LCP

Bill of materials:

| NO | PARTS | MATERIAL | QTY | FINISHING | X. ±0.35 | X.* ±2' | UNITS | mm | 雅安科技有限公司 ACCURATE INNOTECH INC. | | | |
|--|----------|---------------|-----|-----------------|------------|---------|--------|----------|--|--|--|--|
| 3 | HOUSING | PBT/LCP+30%GF | 1 | UL94V-0 | .X ±0.3 | .X* ±1' | MAT'L | SEE NOTE | TITLE: USB AF DIP 90度 侧立式长体 反向 卷边有后盖直脚 | | PART NO.: USAF-04*N-4*CZ63 | |
| 2 | SHELL | COPPER ALLOY | 1 | PLATED NICKEL | .XX ±0.25 | .XX* | FINISH | SEE NOTE | DR: <i>Ricky</i> 2022/07/27 | | DWG NO.: AII-CZ63 | |
| 1 | TERMINAL | COPPER ALLOY | 4 | PLATED GOLD/TIN | .XXX ±0.15 | .XXX* | Q'TY | SEE NOTE | CHKD: <i>Ricky</i> 2022/07/27 | | SCALE SHEET REV. CUSTOMER 1:1 1/1 B DRAWING | |
| <small>THESE DRAWINGS AND SPECIFICATIONS ARE THE PROPERTY OF ACCURATE INNOTECH INC AND SHALL NOT BE REPRODUCED, COPIED OR USED IN ANY MANNER WITHOUT THE PRIOR WRITTEN CONSENT OF ACCURATE INNOTECH INC.</small> | | | | | | | | APPD: | | | | |