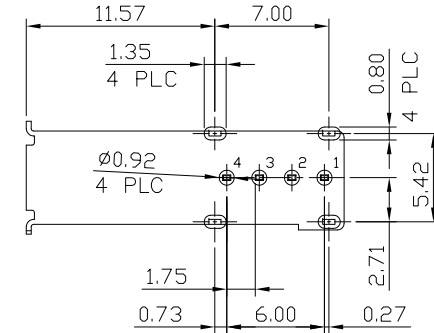
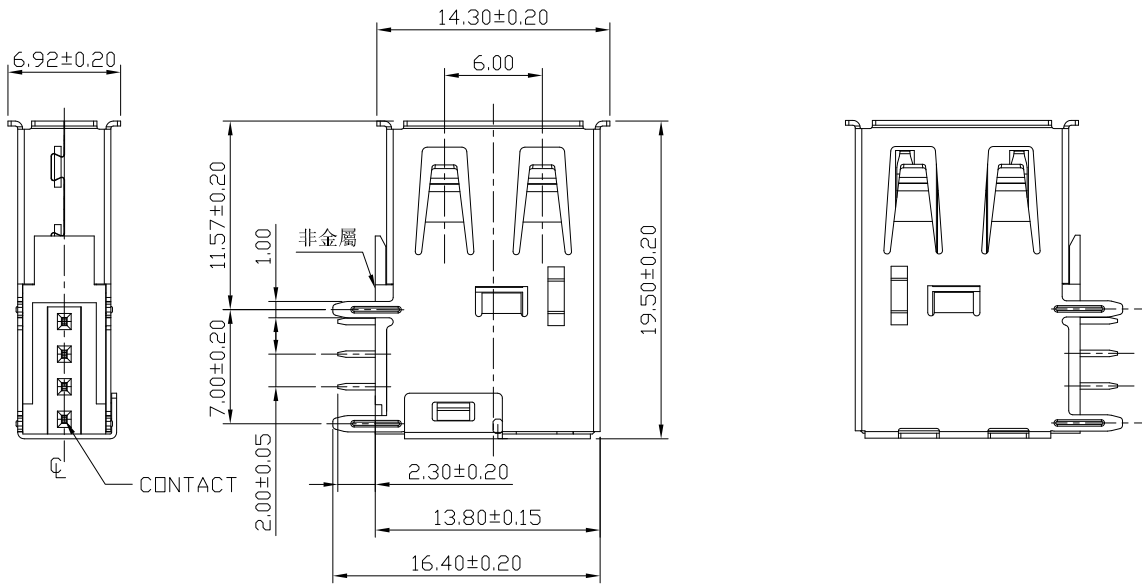


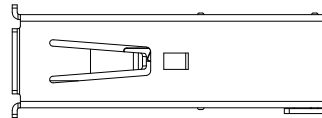
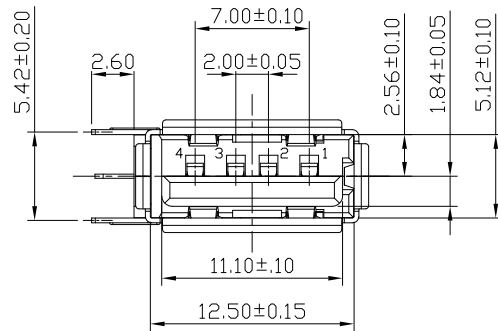


RoHS Compliant
Process Capable 2002/95/EC

REV	LTR	DESCRIPTION	DATE	REVISER	APPD



TOLERANCE:±0.10, THCKNESS:1.6mm
RECDMMAND P.C.B LAYOUT



NOTES:

- ELECTRICAL:**
 - VOLTAGE CURRENT RATING:2AMP,30V AC;
 - INSULATION RESISTANCE: 1000MΩ MIN;
 - CONTACT RESISTANCE: 30mΩ MAX;
 - WITHSTANDING VOLTAGE: 500V AC;
 - OPERATING TEMPERATURE:-55°C TO +85°C.
- Mechanical:**
 - Mating Force: 35N MAX
 - Unmating Force: 10N MIN.
- NOTE:1.DIMENSIONS MARKED "▼"
TO BE CHECKED BY Q.C & IPQC.**

4.PART NO.
USAF-041N-4*CZ64

W:WHITE
B:BLACK
1:Au 1U*
6:Au 30U*
1:PBT
2:PA6T
3:PA9T
4:LCP

Bill of materials:

NO	PARTS	MATERIAL	QTY	FINISHING	TOLERANCES	ANGLES	UNITS	雅安科技有限公司 ACCURATE INNOTECH INC.			
					.X ±0.80	±3°	mm				
3	HOUSING	LCP+30%GF	1	UL94V-0	.X ±0.40		MAT'L	TITLE: USB AF DIP 90度 侧立式长体反向 卷边有后盖直脚带舌片			
2	SHELL	BRASS C2680 T=0.3mm	1	PLATED NICKEL	.XX ±0.20		SEE NOTE				
1	TERMINAL	PHOSPHOR BRONZE C5191 T=0.25mm	4	PLATED GOLD/TIN	.XXX ±0.10		FINISH	DR: Ricky 2024/08/14			
							SEE NOTE	DWG NO.: AII-CZ64			
							Q'TY	CHKD: Ricky 2024/08/14			
								APPD:			
								SCALE	SHEET	REV.	ENGINEERING
								1:1	1/1	B	DRAWING

THESE DRAWINGS AND SPECIFICATIONS ARE THE PROPERTY OF ACCURATE INNOTECH INC AND SHALL NOT BE REPRODUCED, COPIED OR USED IN ANY MANNER WITHOUT THE PRIOR WRITTEN CONSENT OF ACCURATE INNOTECH INC

