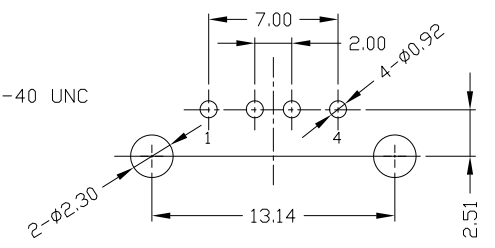
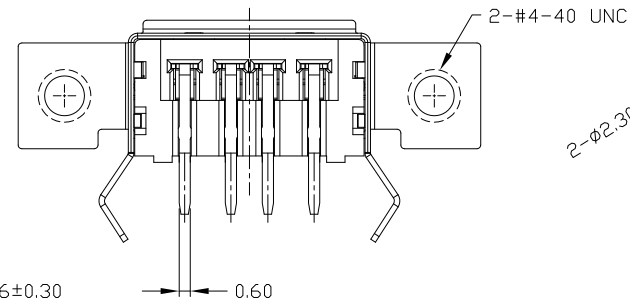
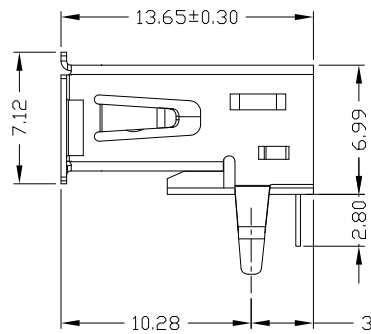
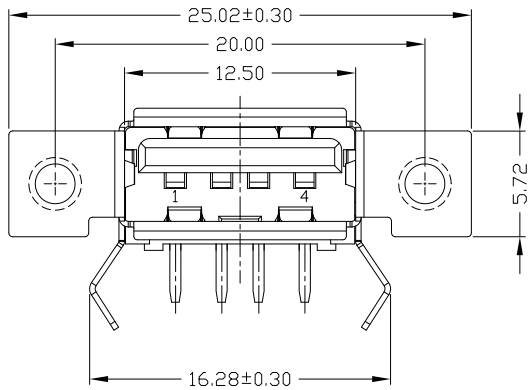
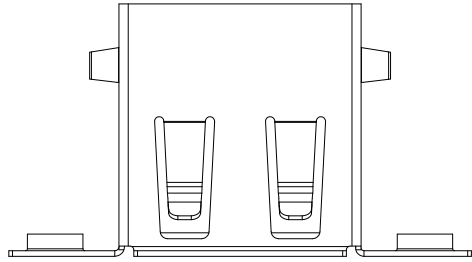


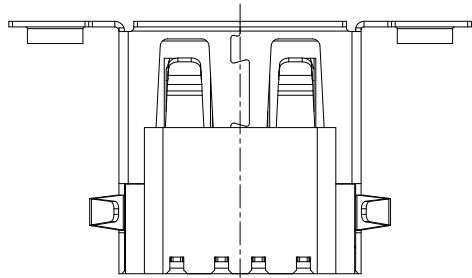


RoHS
Compliant
2002/95/EC

REV.	ECN. NO.	APPD.



P.C.B. LAYOUT



NOTES:

- ELECTRICAL:
 - VOLTAGE CURRENT RATING: 2AMP,30V AC;
 - INSULATION RESISTANCE: 1000MΩ MIN;
 - CONTACT RESISTANCE: 30mΩ MAX;
 - WITHSTANDING VOLTAGE: 500V AC;
 - OPERATING TEMPERATURE:-55°C TO +85°C.
- Mechanical:
 - Mating Force: 35N MAX
 - Unmating Force: 10N MIN.
- DIMENSIONS MARKED "▼" TO BE CHECKED BY Q.C & IPQC.

4.PART NO.

USAF-04*N-4XR645
 1:Au 1U"
 6:Au 30U"
 W:WHITE
 B:BLACK
 1:PBT
 2:PA6T
 3:PA9T
 4:LCP

Bill of materials:

NO	PARTS	MATERIAL	QTY	FINISHING
3	HOUSING	LCP+30%GF	1	UL94V-0
2	SHELL	COPPER ALLOY	1	PLATED NICKEL
1	TERMINAL	COPPER ALLOY	4	PLATED GOLD/TIN

TOLERANCES	ANGLES	UNITS
.X ±0.30	X.* ±3°	mm
.XX ±0.20		MAT'L
.XXX ±0.10		SEE NOTE
FINISH		
SEE NOTE		
Q'TY		

THESE DRAWINGS AND SPECIFICATIONS ARE THE PROPERTY OF ACCURATE INNOTECH INC AND SHALL NOT BE REPRODUCED, COPIED OR USED IN ANY MANNER WITHOUT THE PRIOR WRITTEN CONSENT OF ACCURATE INNOTECH INC.

雅安科技有限公司
ACCURATE INNOTECH INC.

TITLE: USB AF DIP 90度 左右带螺孔	PART NO.: USAF-04XN-4XR645
DR: Ricky 2020/06/16	DWG NO.: AII-R645
CHKD: Ricky 2020/06/16	SCALE SHEET REV. CUSTOMER 1:1 1/1 B DRAWING
APPD:	