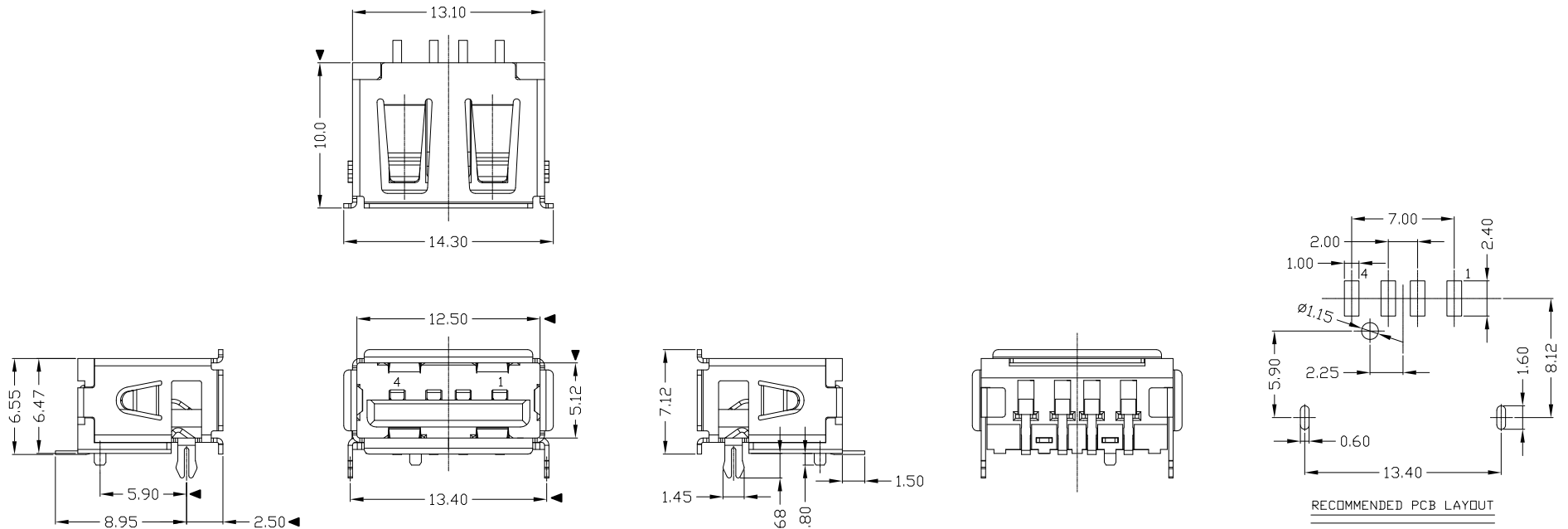




RoHS
Compliant
2002/95/EC

REV.	ECN.	NO.	APPD.



NOTES:

- ELECTRICAL:
 - VOLTAGE CURRENT RATING: 2AMP, 30V AC;
 - INSULATION RESISTANCE: 1000MΩMIN;
 - CONTACT RESISTANCE: 30mΩMAX;
 - WITHSTANDING VOLTAGE: 500V AC;
 - OPERATING TEMPERATURE: -55°C TO +85°C.
- Mechanical:
 - Mating Force: 35N MAX
 - Unmating Force: 10N MIN.
- DIMENSIONS MARKED "▼" TO BE CHECKED BY Q.C & IPQC.

4. PART NO.

USAF-04*N-4*V606
 W: WHITE
 B: BLACK
 1: Au 1U*
 6: Au 30U*
 1: PB
 2: PA6T
 3: PA9T
 4: LCP

Bill of materials:

NO	PARTS	MATERIAL	QTY	FINISHING	X. ±0.35	X.* ±2*	UNITS	雅安科技有限公司 ACCURATE INNOTECH INC.					
					.X ±0.3	.X.* ±1*	mm	TITLE:		PART NO.:			
3	HOUSING	LCP+30%GF	1	UL94V-0	.XX ±0.25	.XX*	MAT'L	USB AF SMT 10.0 反向 单柱 无耳朵		USAF-04*N-4*V606			
2	SHELL	COPPER ALLOY	1	PLATED NICKEL	.XXX ±0.15	.XXX*	SEE NOTE	DR: gan 2014/12/10		DWG NO.: AII-V606			
1	TERMINAL	COPPER ALLOY	4	PLATED GOLD/TIN	THESE DRAWINGS AND SPECIFICATIONS ARE THE PROPERTY OF ACCURATE INNOTECH INC AND SHALL NOT BE REPRODUCED, COPIED OR USED IN ANY MANNER WITHOUT THE PRIOR WRITTEN CONSENT OF ACCURATE INNOTECH INC.			FINISH	CHKD: gan 2014/12/10		SCALE SHEET REV. CUSTOMER DRAWING		
NO	PARTS	MATERIAL	QTY	FINISHING				SEE NOTE	APPD:	1:1	1/1	B	