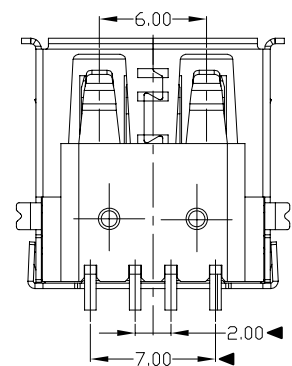
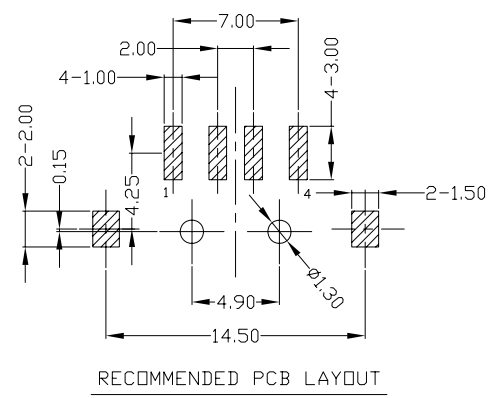
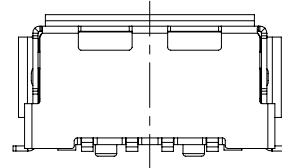
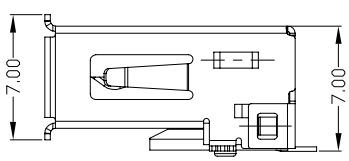
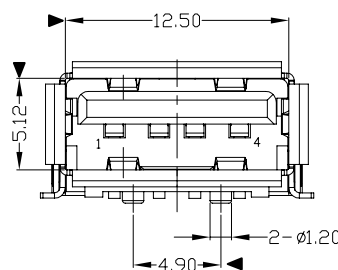
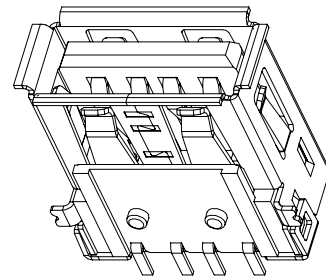
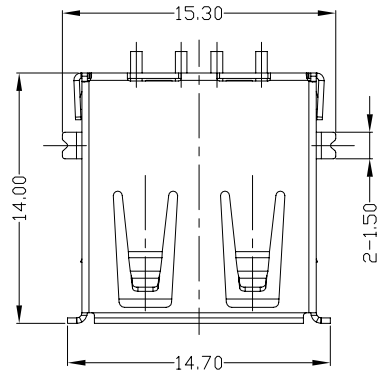




RoHS  
Compliant  
2002/95/EC

REV.	ECN.	NO.	APPD.



NOTES:

- ELECTRICAL:
  - VOLTAGE CURRENT RATING: 2AMP,30V AC;
  - INSULATION RESISTANCE: 1000MΩ MIN;
  - CONTACT RESISTANCE: 30mΩ MAX;
  - WITHSTANDING VOLTAGE: 500V AC;
  - OPERATING TEMPERATURE:-55°C TO +85°C.
- Mechanical:
  - Mating Force: 35N MAX
  - Unmating Force: 10N MIN.
- DIMENSIONS MARKED "▼" TO BE CHECKED BY Q.C & IPQC.

4.PART NO

USAF-04\*N-4\*V62

W:WHITE  
B:BLACK

1:Au 1U"  
6:Au 30U"

1:PBT  
2:PA6T  
3:PA9T  
4:LCP

Bill of materials:

E	3	HOUSING	LCP	1	UL94V-0	X. ±0.35	X.' ±2*	UNITS	mm	雅安科技有限公司 ACCURATE INNOTECH INC.					
	2	SHELL	COPPER ALLOY	1	PLATED NICKEL	.XX ±0.25	.XX*	MAT'L	SEE NOTE					TITLE:	USB A/F SMT TYPE全贴 鱼叉脚
	1	TERMINAL	COPPER ALLOY	4	PLATED GOLD/TIN	.XXX ±0.15	.XXX*	FINISH	SEE NOTE	DR:	gan 2012/6/30	DWG NO.:	AII-V62		
	NO	PARTS	MATERIAL	QTY	FINISHING	THESE DRAWINGS AND SPECIFICATIONS ARE THE PROPERTY OF ACCURATE INNOTECH INC AND SHALL NOT BE REPRODUCED, COPIED OR USED IN ANY MANNER WITHOUT THE PRIOR WRITTEN CONSENT OF ACCURATE INNOTECH INC.			Q'TY	CHKD:	gan 2012/6/30	SCALE	SHEET	REV.	CUSTOMER DRAWING
										APPD:		1:1	1/1	B	