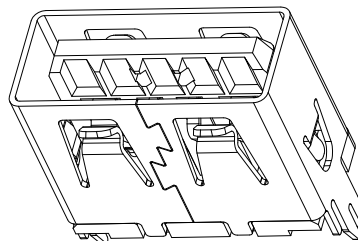
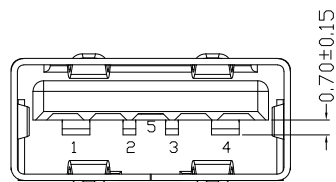




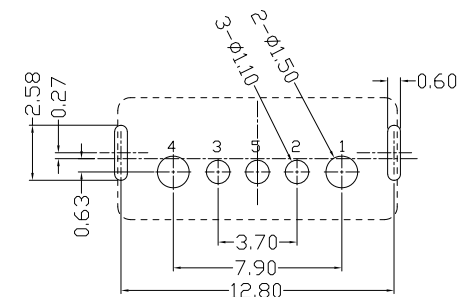
RoHS Compliant
2002/95/EC

REV.	ECN.	NO.	APPD.

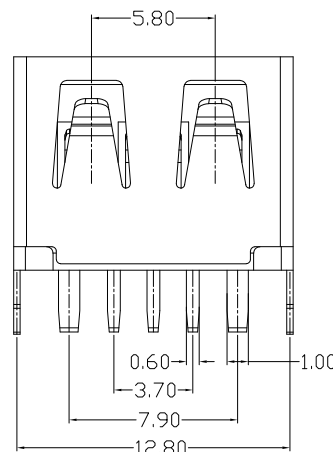
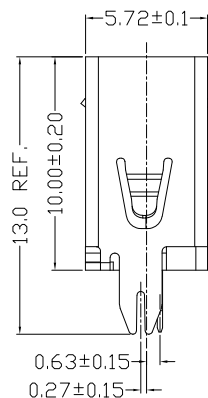
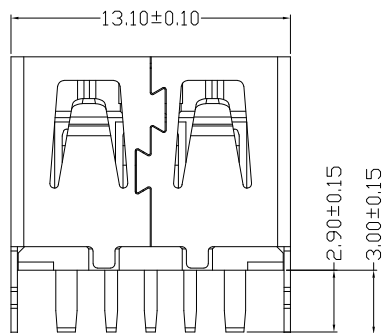


USB 5 pin Def:

1	VBUS
2	D-
3	D+
4	GND
5	Detecy pin
PIN	SIGNAL NAME



RECOMMENDED P.C.B. LAYOUT



NOTES:

1.ELECTRICAL:

- 1) VOLTAGE CURRENT RATING: 3A, 30V DC.
- 2) INSULATION RESISTANCE: 100MΩ MIN.
- 3) CONTACT RESISTANCE: 30mΩ MAX;
- 4) WITHSTANDING VOLTAGE: 500V AC;
- 5) OPERATING TEMPERATURE: -25°C TO +85°C.

2.MECHANICAL:

- 1) MATING FORCE: 35N MAX.
- 2) UNMATING FORCE: 10N MIN.

3.DIMENSIONS MARKED "▼"

TO BE CHECKED BY Q.C & IPQC.

4.PART NO.

USAF-051N-3BPG50

1Au 1U*
6Au 30U*

W:WHITE
B:BLACK
BL:BLUE
GR:GREEN
P:PURPLE
O:ORANGE

1PBT
2PA6T
3PA9T
4LCP

NO	PARTS	MATERIAL	QTY	FINISHING				
6					X.	±0.25	X.*	±1*
5					.X	±0.20	X.X*	±0.5*
4					.XX	±0.15		
3	SHELL	COPPER ALLOY	1	PLATED NICKEL	.XXX	±0.10		
2	TERMINAL	COPPER ALLOY	5	PLATED GOLD/TIN				
1	HOUSING	PA9T+30%GF	1	UL94V-0				
NO	PARTS	MATERIAL	QTY	FINISHING				

THESE DRAWINGS AND SPECIFICATIONS ARE THE PROPERTY OF ACCURATE INNOTECH INC AND SHALL NOT BE REPRODUCED, COPIED OR USED IN ANY MANNER WITHOUT THE PRIOR WRITTEN CONSENT OF ACCURATE INNOTECH INC

UNITS	mm
MAT'L	SEE NOTE
FINISH	SEE NOTE
Q'TY	

雅安科技有限公司 ACCURATE INNOTECH INC.			
TITLE: USB AF 5pin 插板180度 短体H=10.0 无卷边		PART NO.: USAF-051N-3BPG50	
DR: Ricky 2022/08/19		DWG NO.: AII-PG50	
CHKD: Ricky 2022/08/19		SCALE: 1:1	SHEET: 1/1
APPD:		REV.: B	CUSTOMER DRAWING