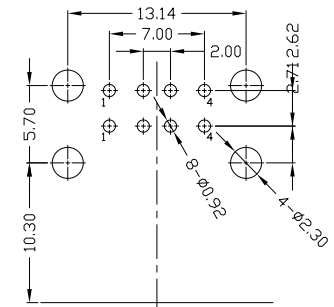
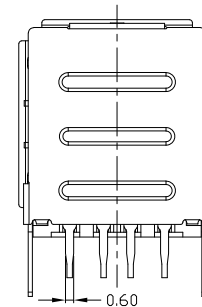
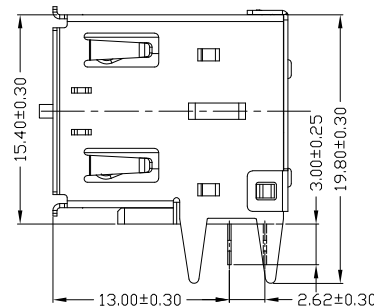
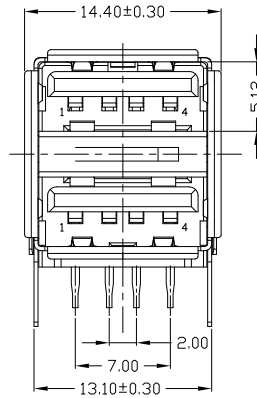
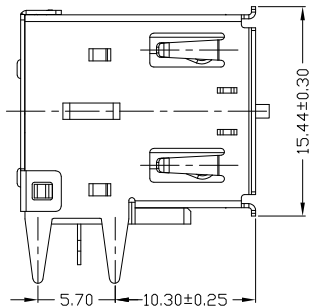
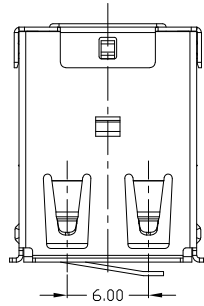


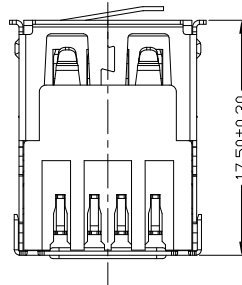


RoHS Compliant
2002/95/EC

REV.	ECN. NO.	APPD.



RECOMMENDED PCB LAYOUT



NOTES:

- ELECTRICAL:
 - VOLTAGE CURRENT RATING: 2AMP, 30V DC;
 - INSULATION RESISTANCE: 1000MΩ MIN;
 - CONTACT RESISTANCE: 30mΩ MAX;
 - WITHSTANDING VOLTAGE: 500V AC;
 - OPERATING TEMPERATURE: -55°C TO +85°C.
- Mechanical:
 - Mating Force: 35N MAX
 - Unmating Force: 10N MIN.
- NOTE: 1. DIMENSIONS MARKED "▼" TO BE CHECKED BY Q.C & IPQC.

4. PART NO.

USAF-08*N-1*R602

1: Au 1U"
6: Au 30U"

W: WHITE
B: BLACK
1: PBT
2: PA6T
3: PA9T
4: LCP

Bill of materials:

NO	PARTS	MATERIAL	QTY	FINISHING	TOLERANCES	ANGLES	UNITS	雅安科技有限公司 ACCURATE INNOTECH INC.							
5	CLIP	COPPER ALLOY	1	PLATED NICKEL	.X ±0.30	±3'	mm	TITLE: USB AF 90度DIP雙層半包 單彈右開直腳 PART NO.: USAF-08*N-1*R602 DR: <i>Ricky</i> 2021/05/21 DWG NO.: AII-R602 CHKD: <i>Ricky</i> 2021/05/21 APPD:							
4	BACK COVER	SPCC	1	PLATED NICKEL	.XX ±0.20		MAT'L					SCALE	SHEET	REV.	CUSTOMER
3	HOUSING	PBT	1	UL94V-0	.XXX ±0.10		SEE NOTE					1:1	1/1	B	DRAWING
2	SHELL	COPPER ALLOY	1	PLATED NICKEL			FINISH								
1	TERMINAL	COPPER ALLOY	8	PLATED GOLD/TIN			SEE NOTE								
					THESE DRAWINGS AND SPECIFICATIONS ARE THE PROPERTY OF ACCURATE INNOTECH INC AND SHALL NOT BE REPRODUCED, COPIED OR USED IN ANY MANNER WITHOUT THE PRIOR WRITTEN CONSENT OF ACCURATE INNOTECH INC			Q'TY							