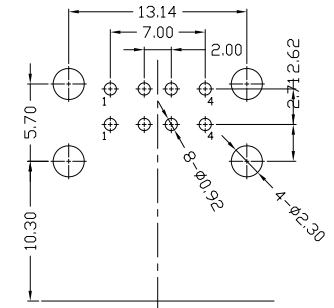
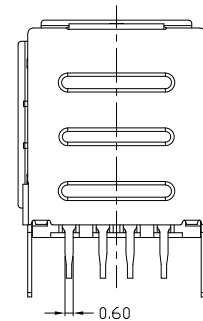
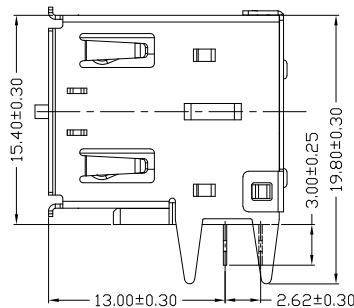
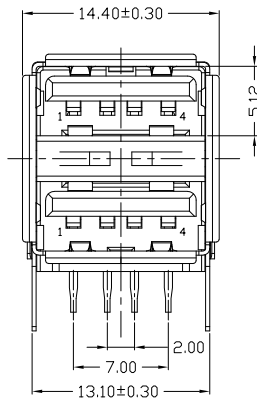
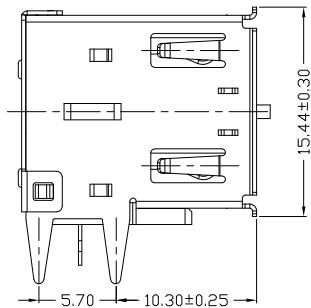
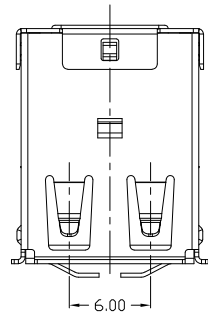


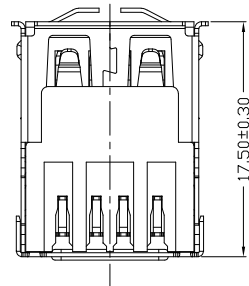


RoHS Compliant
2002/95/EC

REV.	ECN. NO.	APPD.



RECOMMENDED PCB LAYOUT



NOTES:

- ELECTRICAL:
 - VOLTAGE CURRENT RATING: 2AMP, 30V DC;
 - INSULATION RESISTANCE: 1000MΩ MIN;
 - CONTACT RESISTANCE: 30mΩ MAX;
 - WITHSTANDING VOLTAGE: 500V AC;
 - OPERATING TEMPERATURE: -55°C TO +85°C.
- Mechanical:
 - Mating Force: 35N MAX
 - Unmating Force: 10N MIN.
- NOTE: 1. DIMENSIONS MARKED "▼" TO BE CHECKED BY Q.C & IPQC.

4. PART NO.

USAF-08*N-1*R603

- 1: Au 1U'
- 6: Au 30U'
- W: WHITE
- B: BLACK
- 1: PBT
- 2: PA6T
- 3: PA9T
- 4: LCP

Bill of materials:

NO	PARTS	MATERIAL	QTY	FINISHING	TOLERANCES	ANGLES	UNITS
5	CLIP	COPPER ALLOY	1	PLATED NICKEL	.X ±0.30	±3'	mm
4	BACK COVER	SPCC	1	PLATED NICKEL	.XX ±0.20		
3	HOUSING	PBT	1	UL94V-0	.XXX ±0.10		
2	SHELL	COPPER ALLOY	1	PLATED NICKEL			
1	TERMINAL	COPPER ALLOY	8	PLATED GOLD/TIN			
					<small>THESE DRAWINGS AND SPECIFICATIONS ARE THE PROPERTY OF ACCURATE INNOTECH INC AND SHALL NOT BE REPRODUCED, COPIED OR USED IN ANY MANNER WITHOUT THE PRIOR WRITTEN CONSENT OF ACCURATE INNOTECH INC</small>		

雅安科技有限公司 ACCURATE INNOTECH INC.			
TITLE: USB AF 90度DIP 雙層半包 雙內彈直腳		PART NO.: USAF-08*N-1*R603	
DR: <i>Ricky</i> 2021/05/21		DWG NO.: AII-R603	
CHKD: <i>Ricky</i> 2021/05/21		SCALE	SHEET
APPD:		1:1	1/1
		REV.	CUSTOMER DRAWING
		B	