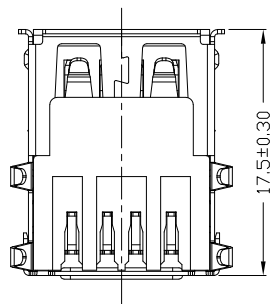
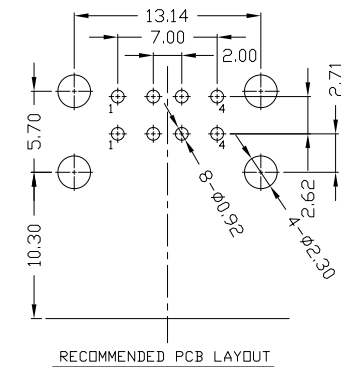
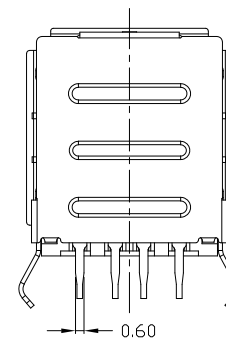
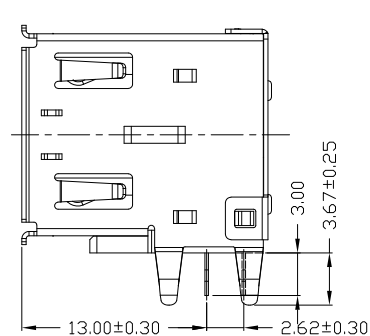
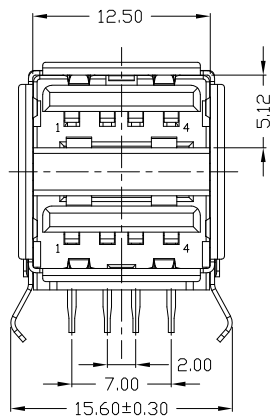
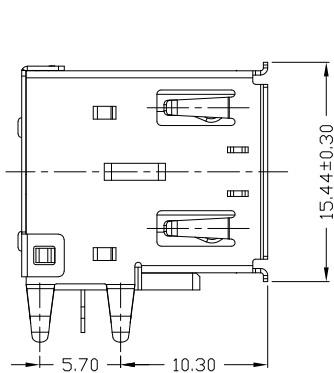
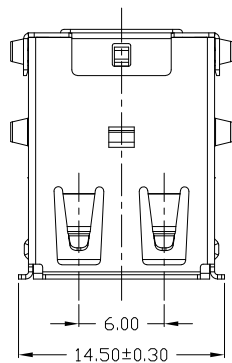




RoHS Compliant
2002/95/EC

REV.	ECN. NO.	APPD.



NOTES:

- ELECTRICAL:
 - VOLTAGE CURRENT RATING: 2AMP,30V AC;
 - INSULATION RESISTANCE: 1000MΩ MIN;
 - CONTACT RESISTANCE: 30mΩ MAX;
 - WITHSTANDING VOLTAGE: 500V AC;
 - OPERATING TEMPERATURE:-55°C TO +85°C.
- Mechanical:
 - Mating Force: 35N MAX
 - Unmating Force: 10N MIN.
- DIMENSIONS MARKED ▼" TO BE CHECKED BY Q.C & IPQC.

4.PART NO.

USAF-08*N-1*R61
 1:Au 1U"
 6:Au 30U"
 W:WHITE
 B:BLACK
 1:PBT
 2:PA6T
 3:PA9T
 4:LCP

Bill of materials:

NO	PARTS	MATERIAL	QTY	FINISHING	TOLERANCES	ANGLES	UNITS
5	CLIP	COPPER ALLOY	1	PLATED NICKEL	.X ±0.30	±3'	mm
4	BACK COVER	SPCC	1	PLATED NICKEL	.XX ±0.20		MAT'L
3	HOUSING	PBT	1	UL94V-0	.XXX ±0.10		SEE NOTE
2	SHELL	COPPER ALLOY	1	PLATED NICKEL			FINISH
1	TERMINAL	COPPER ALLOY	8	PLATED GOLD/TIN			SEE NOTE
							Q'TY

THESE DRAWINGS AND SPECIFICATIONS ARE THE PROPERTY OF ACCURATE INNOTECH INC AND SHALL NOT BE REPRODUCED, COPIED OR USED IN ANY MANNER WITHOUT THE PRIOR WRITTEN CONSENT OF ACCURATE INNOTECH INC.

雅安科技有限公司 ACCURATE INNOTECH INC.			
TITLE: USB AF 90度DIP雙層半包無彈彎腳		PART NO.: USAF-08*N-1*R61	
DR: Ricky 2021/05/18		DWG NO.: AII-R61	
CHKD: Ricky 2021/05/18		SCALE: 1:1	SHEET: 1/1
APPD:		REV: B	CUSTOMER DRAWING

