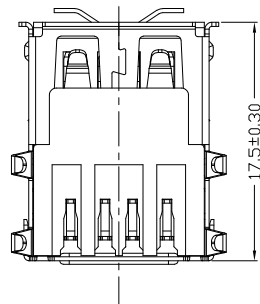
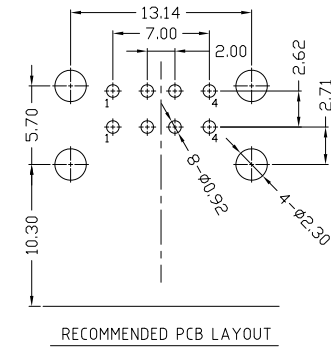
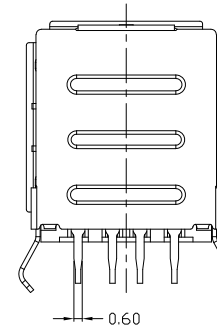
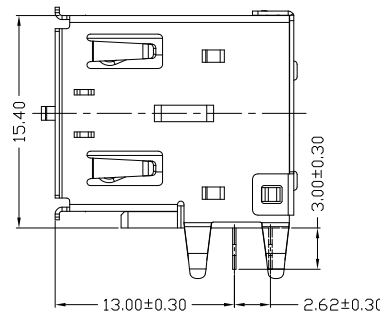
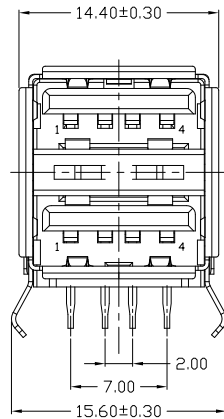
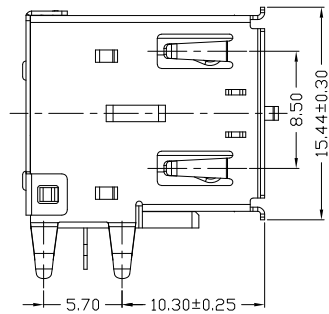
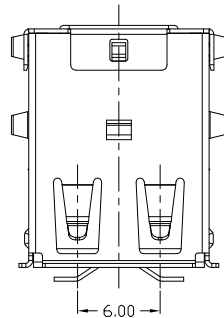




RoHS Compliant
2002/95/EC
Process Capable

REV.	ECN.	NO.	APPD.

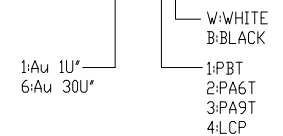


NOTES:

- ELECTRICAL:
 - VOLTAGE CURRENT RATING: 2AMP, 30V AC;
 - INSULATION RESISTANCE: 1000MΩ MIN;
 - CONTACT RESISTANCE: 30mΩ MAX;
 - WITHSTANDING VOLTAGE: 500V AC;
 - OPERATING TEMPERATURE: -55°C TO +85°C.
- Mechanical:
 - Mating Force: 35N MAX
 - Unmating Force: 10N MIN.
- NOTE: 1. DIMENSIONS MARKED "▼" TO BE CHECKED BY Q.C & IPQC.

4. PART NO.

USAF-08*N-1*R64



Bill of materials:

NO	PARTS	MATERIAL	QTY	FINISHING	TOLERANCES	ANGLES	UNITS	雅安科技有限公司 ACCURATE INNOTECH INC.				
5	CLIP	COPPER ALLOY	1	PLATED NICKEL	.X ±0.30	±3°	mm	TITLE: USB AF 90度 DIP雙層半包 雙外彈簧腳 PART NO.: USAF-08*N-1*R64 DR: Ricky 2021/05/21 DWG NO.: AII-R64 CHKD: Ricky 2021/05/21 SCALE: 1:1 SHEET: 1/1 REV: B CUSTOMER DRAWING				
4	BACK COVER	SPCC	1	PLATED NICKEL	.XX ±0.20		MAT'L					
3	HOUSING	PBT	1	UL94V-0	.XXX ±0.10		SEE NOTE					
2	SHELL	COPPER ALLOY	1	PLATED NICKEL			FINISH					
1	TERMINAL	COPPER ALLOY	8	PLATED GOLD/TIN	THESE DRAWINGS AND SPECIFICATIONS ARE THE PROPERTY OF ACCURATE INNOTECH INC AND SHALL NOT BE REPRODUCED, COPIED OR USED IN ANY MANNER WITHOUT THE PRIOR WRITTEN CONSENT OF ACCURATE INNOTECH INC			Q'TY				
NO	PARTS	MATERIAL	QTY	FINISHING								