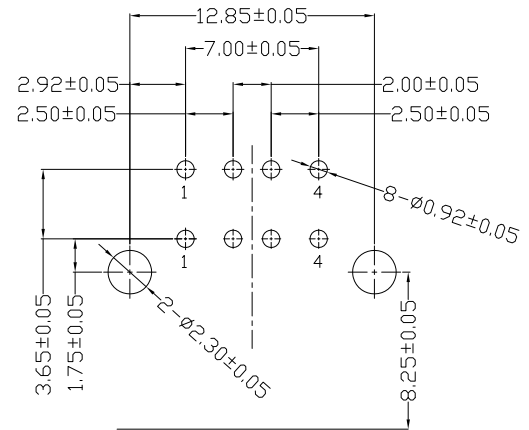
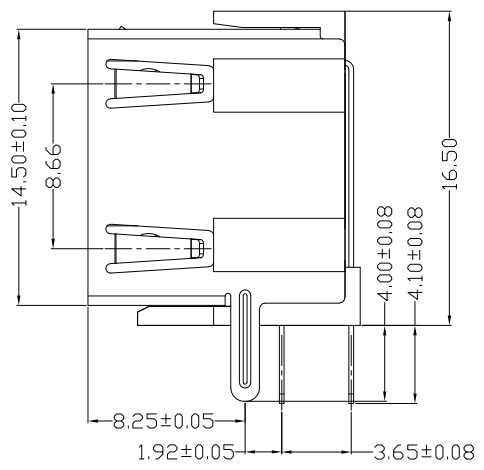
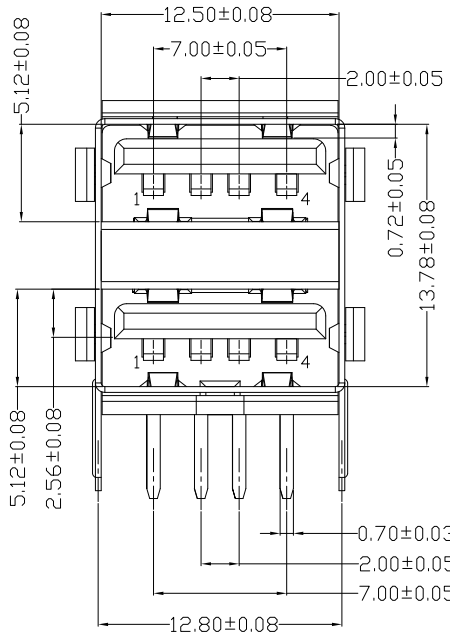
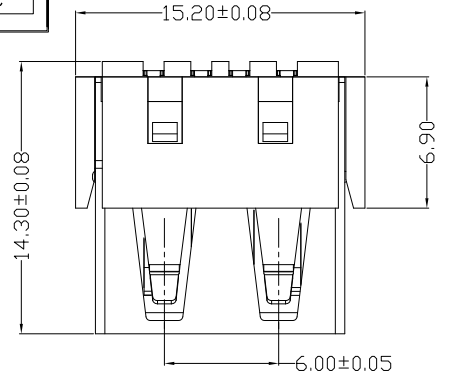




RoHS
Compliant
2002/95/EC

REV	LTR	DESCRIPTION	DATE	REVISER	APPD



RECOMMENDED PCB LAYOUT

NOTES:
 1.ELECTRICAL:
 1)VOLTAGE CURRENT RATING:2AMP,30V DC;
 2)INSULATION RESISTANCE: 1000MΩ MIN;
 3)CONTACT RESISTANCE: 30mΩ MAX;
 4)WITHSTANDING VOLTAGE: 500V AC FOR 1MIN;
 5)OPERATING TEMPERATURE:-30°C TO +85°C.
 2.Mechanical:
 1)Mating Force: 35N MAX
 2)Unmating Force: 10N MIN.
 3.DIMENSIONS MARKED "▼"
 TO BE CHECKED BY Q.C & IPQC.

4. PART NO.
 USAF-08*N-1*RJ50
 1:Au 1U"
 6:Au 30U"
 W:WHITE
 B:BLACK
 1PBT
 2PA6T
 3PA9T
 4LCP

Bill of materials:

NO	PARTS	MATERIAL	QTY	FINISHING
5				X. ±0.15 X.' ±5'
4				.X ±0.10 .X' ±2'
3	HOUSING	PBT+30%GF	1	.XX ±0.05 .XX' ±1'
2	SHELL	COPPER ALLOY / SPCC	1	.XXX ±0.03 .XXX' ±0.5'
1	TERMINAL	COPPER ALLOY	4	PLATED GOLD/TIN

UNITS mm		雅安科技有限公司 ACCURATE INNOTECH INC.	
MAT'L			
SEE NOTE		TITLE: USB AF 双层壳体90度 正向平口	PART NO.: USAF-08XN-1XRJ50
FINISH SEE NOTE		DR: Ricky 2019/08/21	DWG NO.: AII-RJ50
Q'TY		CHKD: Ricky 2019/08/21	SCALE SHEET REV. CUSTOMER 1:1 1/1 B DRAWING
<small>THESE DRAWINGS AND SPECIFICATIONS ARE THE PROPERTY OF ACCURATE INNOTECH INC. AND SHALL NOT BE REPRODUCED, COPIED OR USED IN ANY MANNER WITHOUT THE PRIOR WRITTEN CONSENT OF ACCURATE INNOTECH INC.</small>		APPD:	