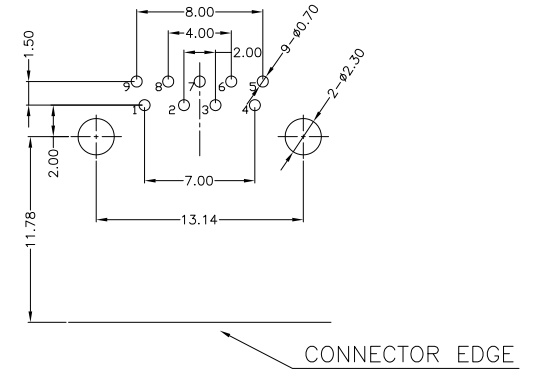
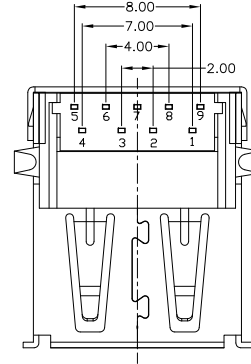
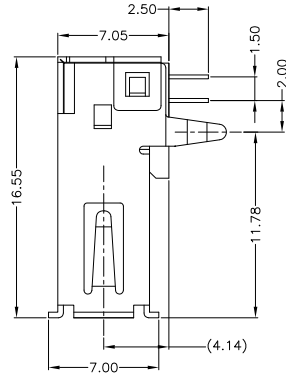
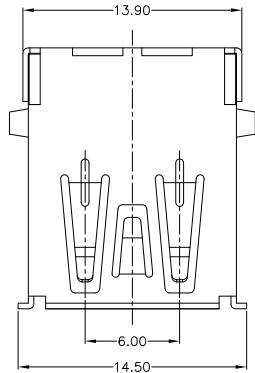




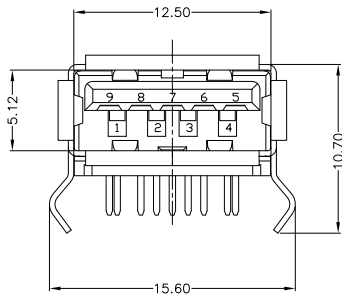
RoHS  
Compliant  
2002/95/EC

REV.	ECN. NO.	APPD.



RECOMMENDED PCB LAYOUT

Pin Number	Signal Name	Pin Number	Signal Name
1	VBUS	5	SSRX-
2	D-	6	SSRX+
3	D+	7	GND
4	GND	8	SSTX-
Shell	Shield	9	SSTX+



NOTES:

- ELECTRICAL:
  - VOLTAGE CURRENT RATING:1.8AMP,30V AC;
  - INSULATION RESISTANCE: 1000MΩ MIN;
  - CONTACT RESISTANCE: 30mΩ MAX;
  - WITHSTANDING VOLTAGE: 500V AC;
  - OPERATING TEMPERATURE:-55°C TO +85°C.
- Mechanical:
  - Mating Force: 35N MAX
  - Unmating Force: 10N MIN.
- NOTE:1.DIMENSIONS MARKED "▼" TO BE CHECKED BY Q.C & IPQC.

4.PART NO.

USAF-09\*N-1BLR30

W:WHITE  
B:BLACK  
BL:BLUE

1:Au 1U"  
5:Au 15u"  
6:Au 30U"  
1:PBT  
2:PA6T  
3:PA9T  
4:LCP  
5:PA46

Bill of materials:

NO	PARTS	MATERIAL	QTY	FINISHING	X. ±0.35	X.' ±2'	UNITS	雅安科技有限公司 ACCURATE INNOTECH INC.				
4	BACK COVER	PBT+30%GF	1	UL94V-0	.X ±0.3	.X' ±1'	mm	TITLE:	PART NO.:			
3	HOUSING	PBT+30%GF	1	UL94V-0	.XX ±0.25	.XX'	MAT'L	USB AF3.0 90° 插板式	USAF-09*N-1BLR30			
2	SHELL	COPPER ALLOY	1	PLATED NICKEL	.XXX ±0.15	.XXX'	SEE NOTE	DR:	DWG NO.:			
1	TERMINAL	COPPER ALLOY	9	PLATED GOLD/TIN	THESE DRAWINGS AND SPECIFICATIONS ARE THE PROPERTY OF ACCURATE INNOTECH INC AND SHALL NOT BE REPRODUCED, COPIED OR USED IN ANY MANNER WITHOUT THE PRIOR WRITTEN CONSENT OF ACCURATE INNOTECH INC			SEE NOTE	gan 2014/07/08	AII-R30		
							Q'TY	CHKD:	SCALE SHEET REV. CUSTOMER			
								gan 2014/07/08	1:1	1/1	B	DRAWING