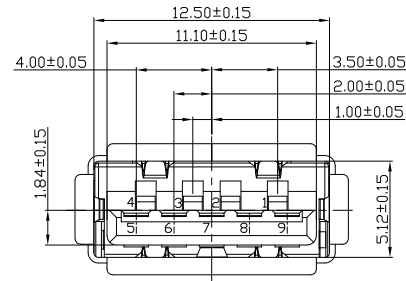
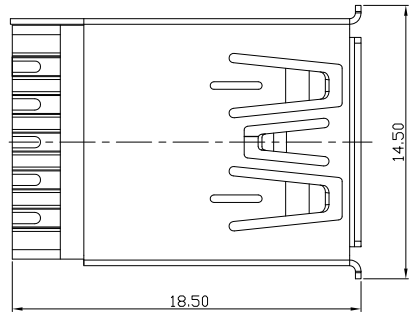
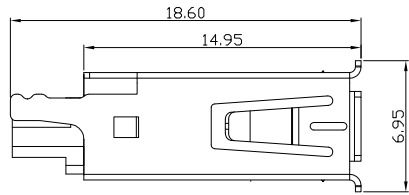
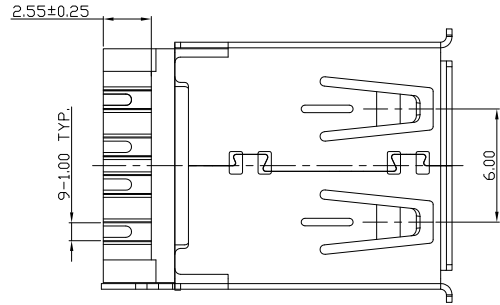




RoHS
Compliant
2002/95/EC

| REV. | ECN. | NO. | APPD. |
|------|------|-----|-------|
| | | | |
| | | | |



| PIN NUMBER | SIGNAL NAME |
|------------|-------------|
| 1 | VBUS |
| 2 | D- |
| 3 | D+ |
| 4 | GND |
| 5 | STDA_SSRX- |
| 6 | STDA_SSRX+ |
| 7 | GND_DRAIN |
| 8 | STDA_SSTX- |
| 9 | STDA_SSTX+ |
| Shell | Shield |

NOTES:
 1.ELECTRICAL:
 1>VOLTAGE CURRENT RATING:1.5AMP;
 2>INSULATION RESISTANCE: 1000MΩ MIN;
 3>CONTACT RESISTANCE: 30mΩ MAX;
 4>WITHSTANDING VOLTAGE: 500V AC;
 5>OPERATING TEMPERATURE:-40°C TO +85°C.
 2.Mechanical:
 1>Mating Force: 35N MAX
 2>Unmating Force: 10N MIN.
 3.DIMENSIONS MARKED "▼"
 TO BE CHECKED BY Q.C & IPQC.

4. PART NO.
 USAF-091N-1BLSU30

1:Au 1U*
 5:Au 15U*
 6:Au 30U*

1:PBT
 2:PA6T
 3:PA9T
 4:LCP

W:WHITE
 B:BLACK
 BL:BLUE

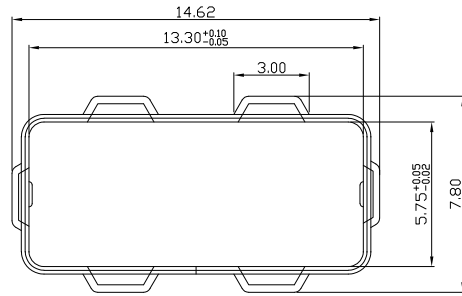
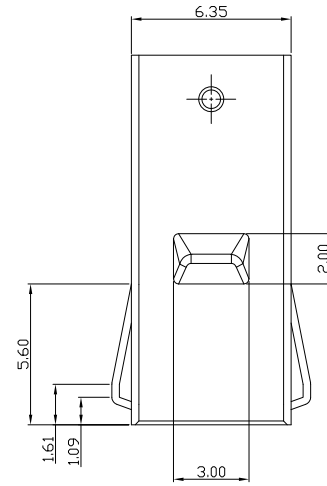
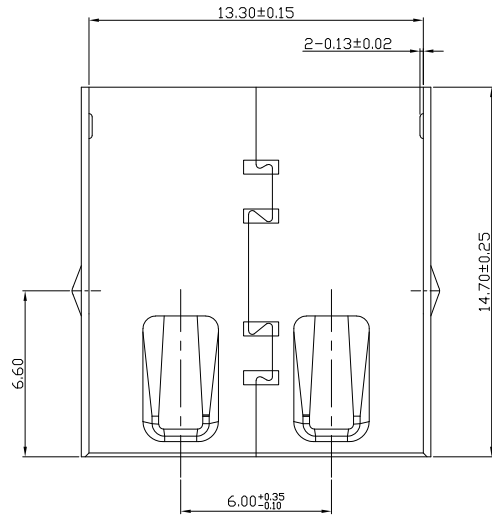
Bill of materials:

| NO | PARTS | MATERIAL | QTY | FINISHING | UNITS | mm | 雅安科技有限公司 ACCURATE INNOTECH INC. | | | | | | | | | | |
|----|--------------|-------------------|-----|-----------------|---|-------|------------------------------------|------|---------------------------|---------------------------------|-------------------------------|-------------------------|---------------------|-------|-------|------|---------------------|
| 4 | HOUSING | PBT+30%GF | 1 | UL94V-0 | .X | ±0.38 | .X* | ±3* | SEE NOTE | TITLE: USB 3.0 AF 焊線180度 普通款 | PART NO: USAF-09XN-1BLSU30 | DR: Ricky 2019/11/04 | DWG NO: AII-SU30 | SCALE | SHEET | REV. | CUSTOMER DRAWING |
| 3 | TERMINAL(5P) | COPPER ALLOY | 5 | PLATED GOLD/TIN | .XX | ±0.25 | .X* | ±3* | | | | | | | | | |
| 2 | TERMINAL(4P) | COPPER ALLOY | 4 | PLATED GOLD/TIN | .XXX | ±0.20 | .XX* | ±3* | | | | | | | | | |
| 1 | SHELL | SPCC/COPPER ALLOY | 1 | PLATED NICKEL | THESE DRAWINGS AND SPECIFICATIONS ARE THE PROPERTY OF ACCURATE INNOTECH INC AND SHALL NOT BE REPRODUCED, COPIED OR USED IN ANY MANNER WITHOUT THE PRIOR WRITTEN CONSENT OF ACCURATE INNOTECH INC. | | | Q'TY | APPD: Ricky 2019/11/04 | 1:1 | 1/1 | B | | | | | |



RoHS
Compliant
2002/95/EC

| REV. | ECN. | NO. | APPD. |
|------|------|-----|-------|
| | | | |
| | | | |



Bill of materials:

| NO | PARTS | MATERIAL | QTY | FINISHING | | | | | | | | | |
|----|-------|----------|-----|---------------|---|------------|--------|----------|--|-------|-------|------|----------|
| 1 | SHELL | SPCC | 1 | PLATED NICKEL | .X ±0.10 | .X° ±2° | UNITS | mm | 雅安科技有限公司 ACCURATE INNOTECH INC. TITLE: USB 3.0 AF 焊線180度 普通款 外套壳 PART NO: USAF-09XN-1BLSU30-C DR: <i>Ricky</i> 2019/11/04 DWG NO: AII-SU30-C CHKD: <i>Ricky</i> 2019/11/04 APPD: | | | | |
| | | | | | .XX ±0.05 | .X° ±1.5° | MAT'L | SEE NOTE | | | | | |
| | | | | | .XXX ±0.03 | .XX° ±1.5° | FINISH | SEE NOTE | | | | | |
| | | | | | | | Q'TY | | | | | | |
| | | | | | THESE DRAWINGS AND SPECIFICATIONS ARE THE PROPERTY OF ACCURATE INNOTECH INC AND SHALL NOT BE REPRODUCED, COPIED OR USED IN ANY MANNER WITHOUT THE PRIOR WRITTEN CONSENT OF ACCURATE INNOTECH INC. | | | | | SCALE | SHEET | REV. | CUSTOMER |
| | | | | | | | | | | 1:1 | 1/1 | B | DRAWING |

