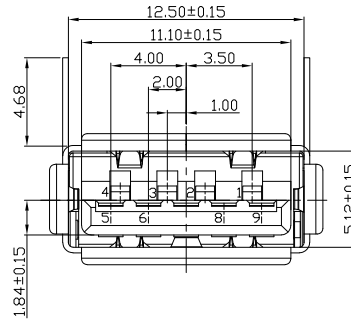
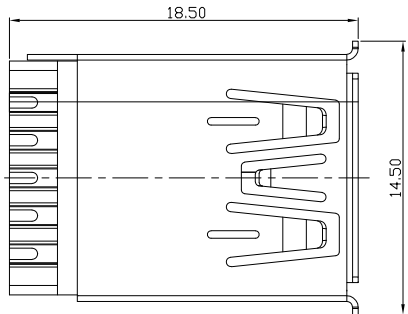
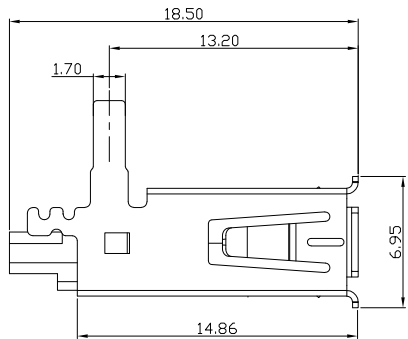
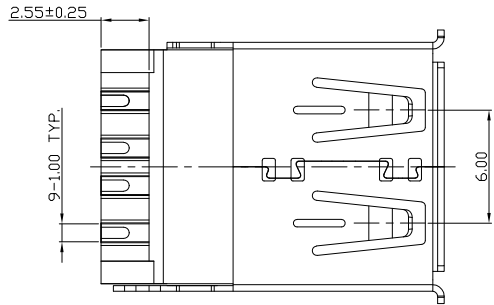




RoHS  
Compliant  
2002/95/EC

REV.	ECN.	NO.	APPD.



PIN NUMBER	SIGNAL NAME
1	VBUS
2	D-
3	D+
4	GND
5	STDA_SSRX-
6	STDA_SSRX+
7	GND_DRAIN
8	STDA_SSTX-
9	STDA_SSTX+
Shell	Shield

NOTES:

1.ELECTRICAL:

- 1)VOLTAGE CURRENT RATING:1.5AMP;
- 2)INSULATION RESISTANCE: 1000MΩ MIN;
- 3)CONTACT RESISTANCE: 30mΩ MAX;
- 4)WITHSTANDING VOLTAGE: 500V AC;
- 5)OPERATING TEMPERATURE:-40°C TO +85°C.

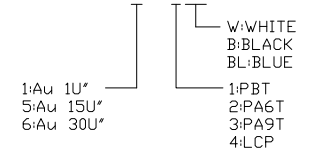
2.Mechanical:

- 1)Mating Force: 35N MAX
- 2)Unmating Force: 10N MIN.

3.DIMENSIONS MARKED "▼"  
TO BE CHECKED BY Q.C & IPQC.

4. PART NO.

USAF-091N-1BLSU32



Bill of materials:

NO	PARTS	MATERIAL	QTY	FINISHING	X	X.*	UNITS	雅安科技有限公司 ACCURATE INNOTECH INC.				
					±0.38	±3°		mm	TITLE:	PART NO.:	DR:	DWG NO.:
4	HOUSING	PBT+30%GF	1	UL94V-0	.XX	.X*	MAT'L	USB 3.0 AF 焊線180度 带长脚(直脚)款				
3	TERMINAL(5P)	COPPER ALLOY	5	PLATED GOLD/TIN	±0.25	±3°	SEE NOTE					USAF-091N-1BLSU32
2	TERMINAL(4P)	COPPER ALLOY	4	PLATED GOLD/TIN	.XXX	.XX*	FINISH	DR: Ricky 2019/11/05				
1	SHELL	SPCC/COPPER ALLOY	1	PLATED NICKEL			SEE NOTE	DWG NO: AII-SU32				
					THESE DRAWINGS AND SPECIFICATIONS ARE THE PROPERTY OF ACCURATE INNOTECH INC AND SHALL NOT BE REPRODUCED, COPIED OR USED IN ANY MANNER WITHOUT THE PRIOR WRITTEN CONSENT OF ACCURATE INNOTECH INC.			Q'TY	CHKD: Ricky 2019/11/05			
								APPD:	SCALE	SHEET	REV.	CUSTOMER DRAWING
									1:1	1/1	B	