

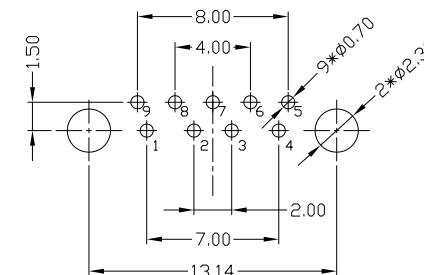
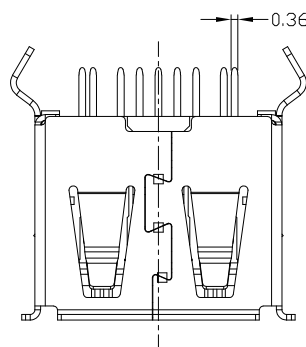
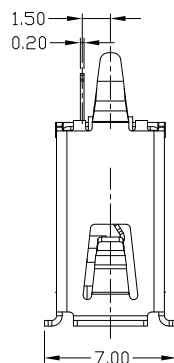
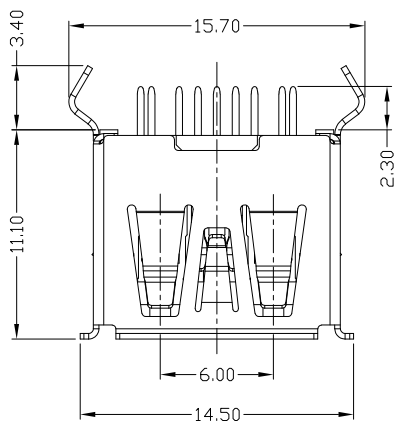
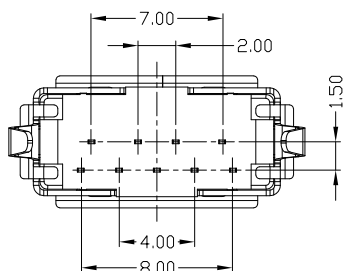
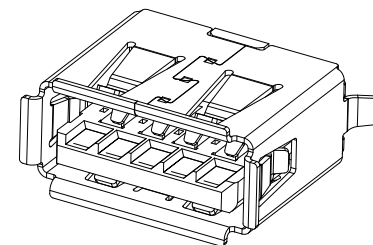


RoHS
Compliant
2002/95/EC

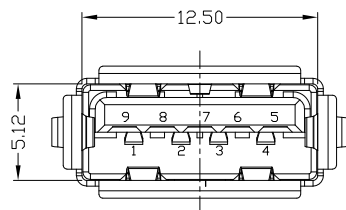
Halogen Free

REV.	ECN.	NO.	APPD.

PIN NUMBER	SIGNAL NAME
1	VBUS
2	D-
3	D+
4	GND
5	STDA_SSRX-
6	STDA_SSRX+
7	GND_DRAIN
8	STDA_SSTX-
9	STDA_SSTX+
Shell	Shield



RECOMMENDED PCB LAYOUT



NOTES:

1. ELECTRICAL:

- 1) CURRENT RATING: 1.5 AMP;
- 2) INSULATION RESISTANCE: 100MΩ MIN;
- 3) CONTACT RESISTANCE: 30mΩ MAX;
- 4) WITHSTANDING VOLTAGE: 100V AC;
- 5) OPERATING TEMPERATURE: -20°C ~ +60°C.

2. Mechanical:

- 1) Mating Force: 35N MAX
- 2) Unmating Force: 10N MIN.

3. DIMENSIONS MARKED "▼" TO BE CHECKED BY Q.C & IPQC.

4. PART NO.

USAF-09*N-3BLPC11

1Au 1U'
5Au 15U'
6Au 30U'

W:WHITE
B:BLACK
BL:BLUE

1PBT
2PA6T
3PA9T
4LCP

Bill of materials:

NO	PARTS	MATERIAL	QTY	FINISHING	UNITS	mm	雅安科技有限公司 ACCURATE INNOTECH INC.						
3	SHELL	COPPER ALLOY	1	PLATED NICKEL	X. ±0.35	X.' ±2'	SEE NOTE	TITLE: USB 3.0 AF 180度DIP I=11.1 卷边		PART NO.: USAF-09*N-3BLPC11			
2	TERMINAL	COPPER ALLOY	9	PLATED GOLD/TIN	.X ±0.3	.X' ±1'							
1	HOUSING	PA9T/LCP/PBT	1	UL94V-0	.XX ±0.25	.XX'		FINISH SEE NOTE	DR: gan 2016/12/31		DWG NO.: AII-PC11		
NO	PARTS	MATERIAL	QTY	FINISHING	.XXX ±0.15	.XXX'	Q'TY	CHKD: gan 2016/12/31	APPD:	SCALE: 1:1	SHEET: 1/1	REV: B	CUSTOMER DRAWING

THESE DRAWINGS AND SPECIFICATIONS ARE THE PROPERTY OF ACCURATE INNOTECH INC AND SHALL NOT BE REPRODUCED, COPIED OR USED IN ANY MANNER WITHOUT THE PRIOR WRITTEN CONSENT OF ACCURATE INNOTECH INC.

